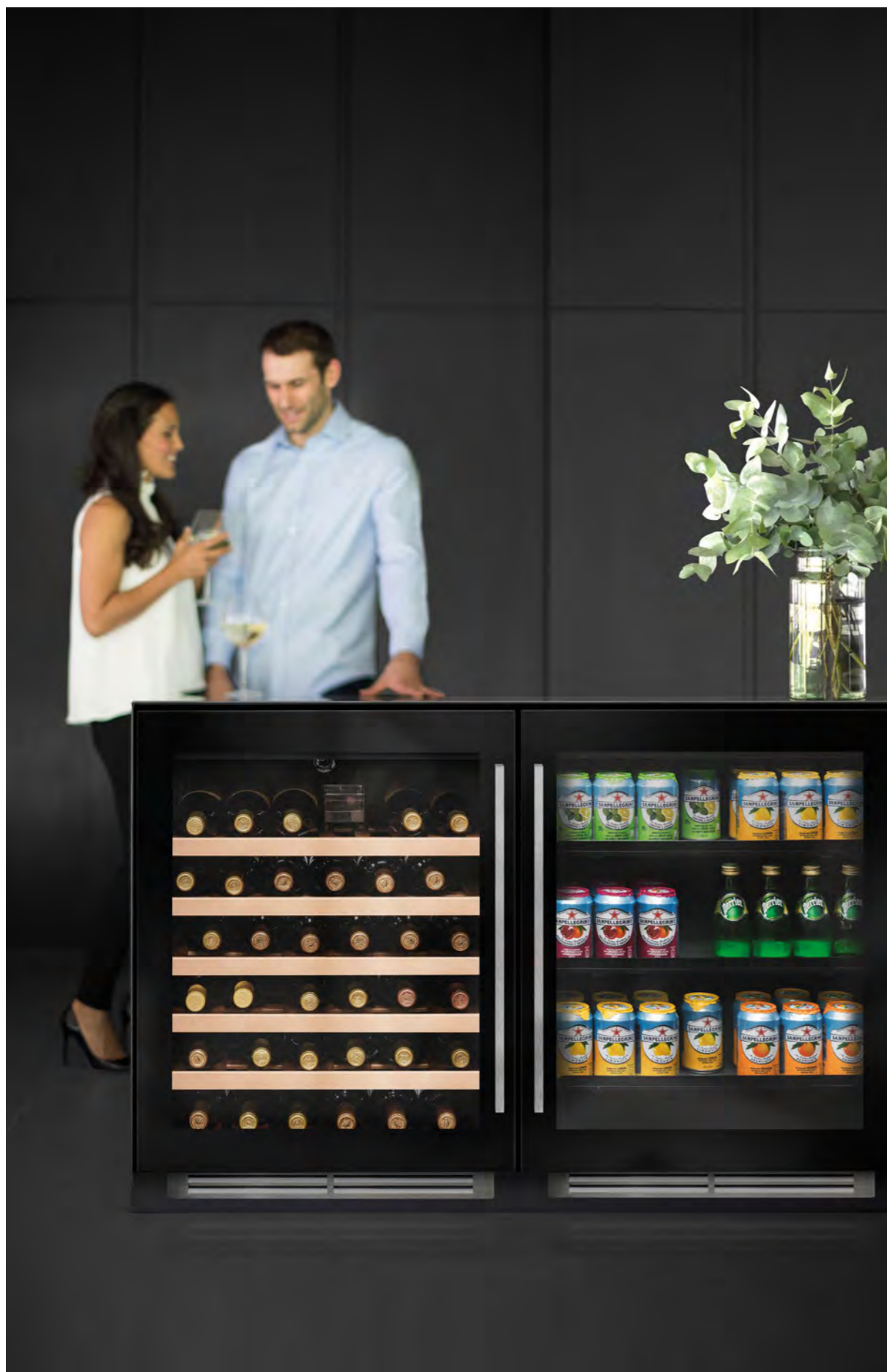


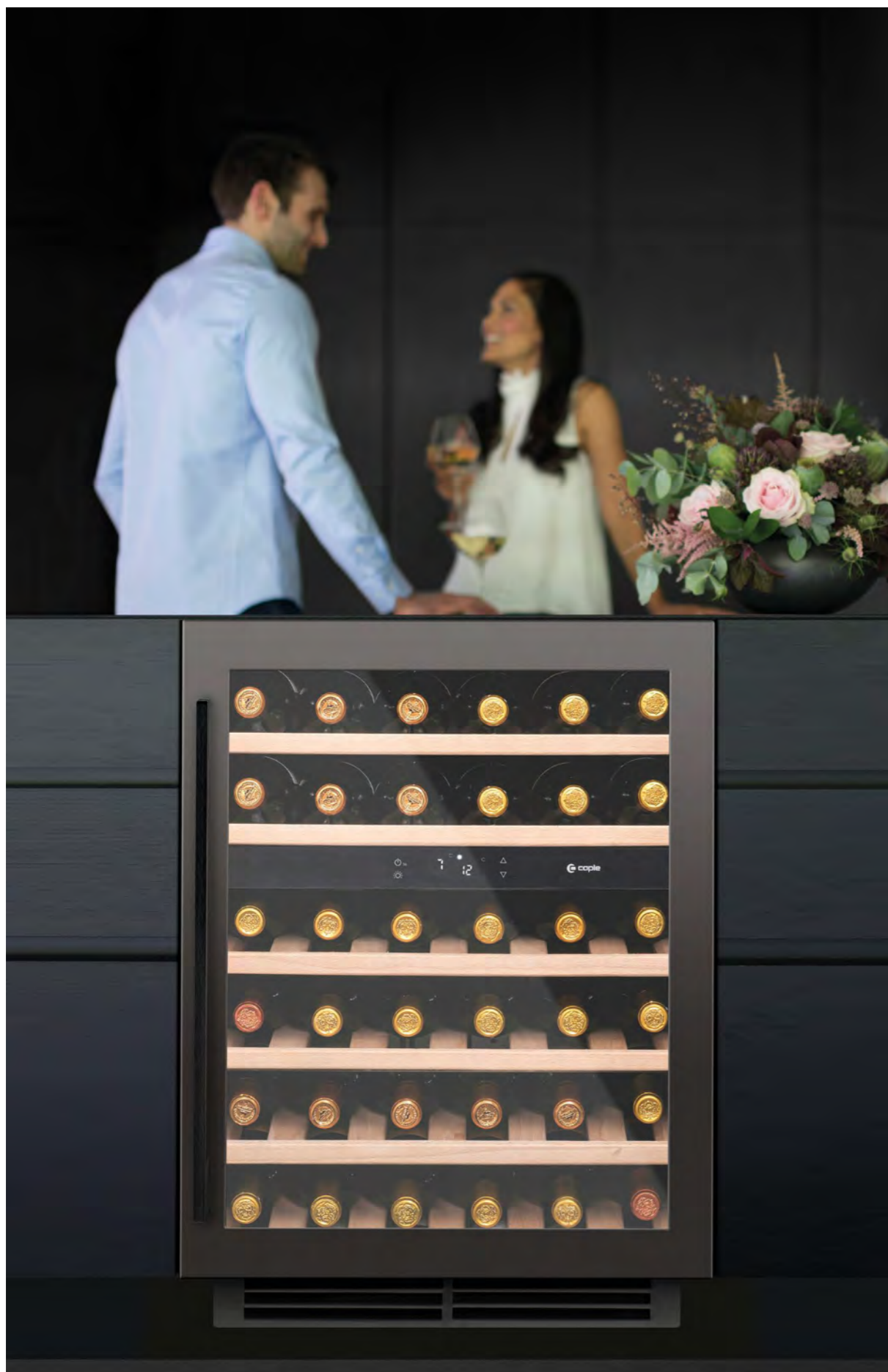


Wine Cabinet
COLLECTION 2019



CONTENTS

PERFECTION BY THE GLASS	04
CARE FOR YOUR COLLECTION	06
GET THE LOOK	08
UNDERCOUNTER WINE CABINETS	10
SENSE PREMIUM	12
SENSE AND CLASSIC	14
IN-COLUMN WINE CABINETS	34
FREESTANDING WINE CABINETS	44
CAPLE CARE	49



Wine Cabinets

Caple's wine cabinets create the optimum storage conditions for your wine; the correct temperature, humidity and air circulation. They even use low vibration technology to minimise disturbance.

And of course, they look great.

PERFECTION BY THE GLASS

If you've invested a lot of time and money in your wine, you'll also want the perfect place to store it. As all wines react to their environment, a Caple wine cabinet is a must-have for anyone who wants to enjoy the full aroma and flavour of a good bottle.

We know how important a fine wine collection is, which is why our wine cabinets are specifically designed to keep it in perfect condition.

The kitchen is often at the heart of a good party. So choose a wine cabinet that's stylish, versatile and designed for the serious entertainer. Caple's wine cabinets cater for every kind of occasion, big or small.

They're packed with functionality and there's no better way of having perfectly chilled drinks to hand whenever you want them.

Our wine cabinets are also very flexible if you need space for cooling soft drinks or other cold refreshments. You can simply convert the interior by adding an optional frosted glass shelf, freeing up space in your fridge.



CARE FOR YOUR COLLECTION



TO STORE

All wine should be stored at 12-14°C whether red or white. Our cabinets simulate cellar conditions - dark, still, humid and a constant temperature.

TO SERVE

For rosés and whites it's 8-14°C, for sparkling wines it's 6-10°C. Full reds need 16-18°C, whereas lighter ones are best at 13-16°C. For some wine cabinets this temperature variation is a problem. However, Caple cabinets can offer multiple zones that keep all your wines at the perfect temperature for storing or better still, serving.

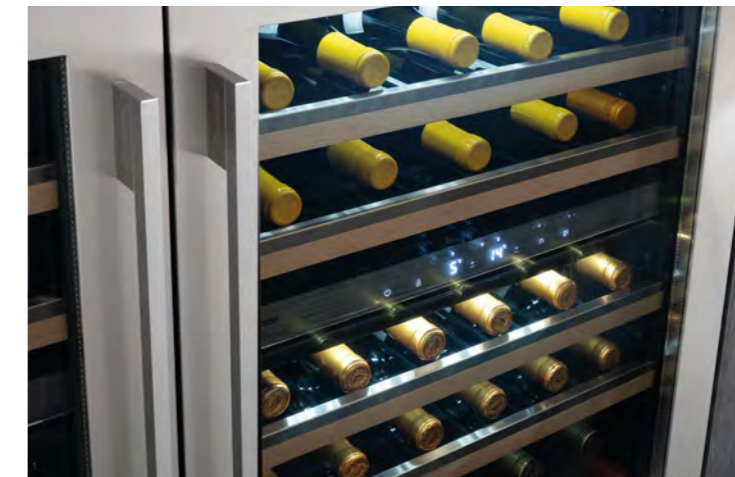
COMPRESSOR COOLING

When choosing a wine cabinet it's important to consider the type of cooling system it uses. Many conventional cabinets use thermo electric technology, which is only capable of cooling to 15°C below the room's ambient temperature. So on a warm day of 25°C the contents will only cool to a minimum of 10°C, leaving your wine exposed to potentially damaging temperatures.

Caple's wine cabinets use a compressor cooling system, which maintains precisely the right temperature, regardless of the ambient room temperature.

FINER WINE

Vibration and humidity during storage will influence how your wine will taste when it's finally poured. That's why Caple's wine cabinets come with anti-vibration gaskets and low vibration compressors to prevent disturbance to the wine's sediment balance. Our cabinets also create an ideal atmosphere of above 65% humidity, to preserve cork quality and prevent mould and odours. You can be confident your wine is in good hands.



THE IMPORTANCE OF LIGHTING AND STACKING

Ultraviolet light causes lightstrike, which makes wine age prematurely. So it's important to avoid exposing bottles to sunlight or fluorescent light. Our white LEDs not only look great, they are also UV-free with no heat output either.

Bottles should usually be stored on their side so the wine stays in contact with the cork. This keeps the cork moist and ensures a good air seal for the bottle, which prevents oxidation and immediate ageing.

Wine benefits best from side storage if the level of the wine reaches at least the upper shoulder of the bottle when upright. Caple's wine cabinets provide sufficient shelves to allow for bottles to be stored either on a single level for easy reach, or stacked for longer storage.

GET THE LOOK

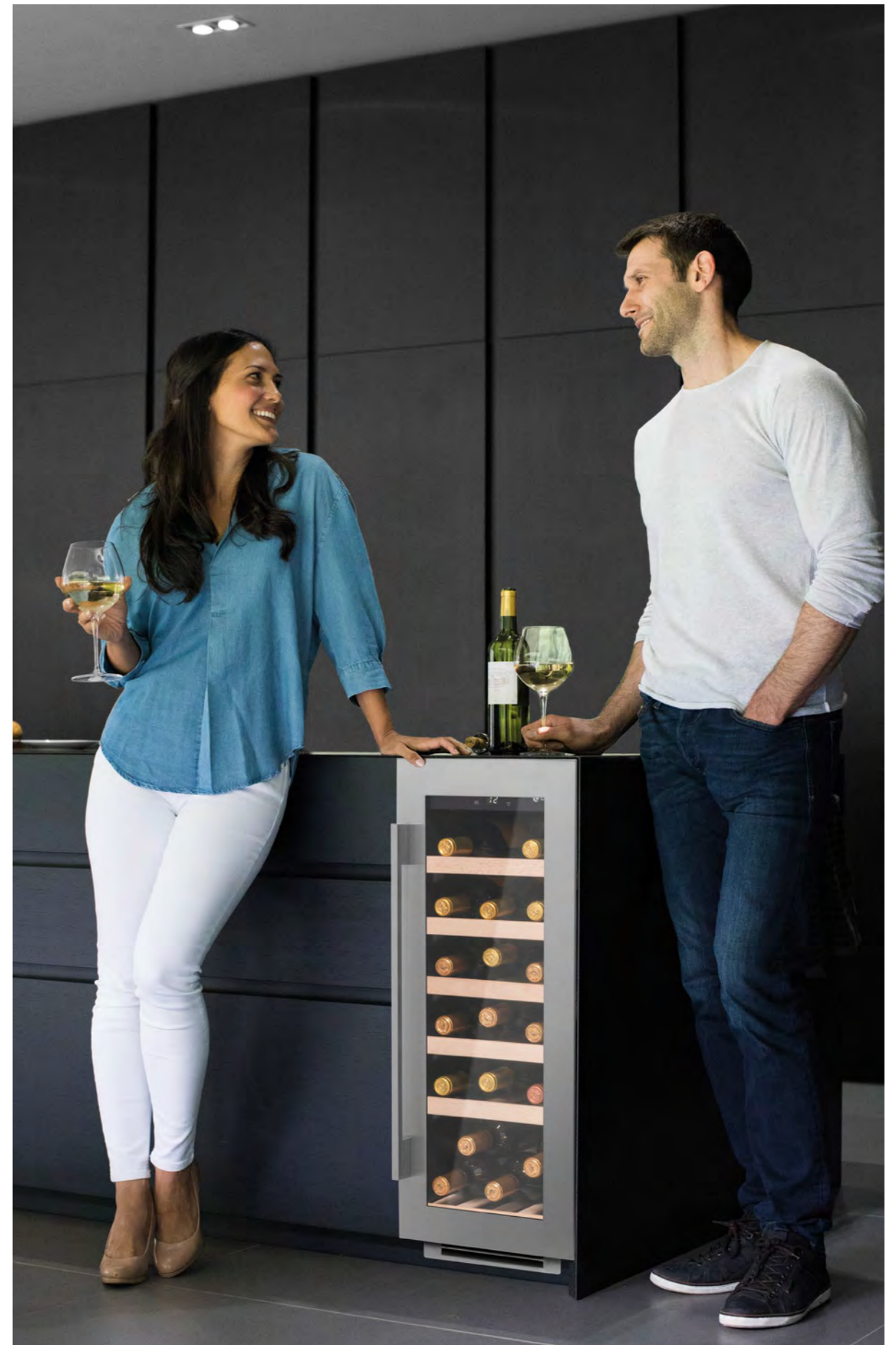
Stylish on the outside, intelligent on the inside, our range of wine cabinets have everything you need for entertaining.



Choose from freestanding, in-column or undercounter models, which ever suits your needs best, and for greater flexibility some come with reversible doors.

Available in a variety of sizes with a choice of single or dual temperature zones, these cabinets are whisper quiet from just 43dB[A] - there's no chance of them ruining the party atmosphere.

The UV toughened glass keeps your wine protected from the sunlight. Surrounded by precision-crafted stainless steel, black or white glass, Caple wine cabinets will co-ordinate seamlessly with your kitchen style.





UNDERCOUNTER
WINE CABINETS

SENSE PREMIUM WINE CABINETS

TELESCOPIC SHELVES

The beech and stainless fronted telescopic wire shelves are gentle on the bottles, reducing any accidental scratches on the label and allowing you to easily view your collection. Perfect for Burgundy, Bordeaux and Champagne bottles.



AIR PURIFYING TECHNOLOGY

Charcoal filters eliminate odours and impurities in the air, preventing them from penetrating the cork, to ensure your collection is at its best when it comes to serving.



PREMIUM FUNCTIONALITY

Four light settings and four functions means you can find the right storage environment to suit your wine.



ON/OFF

Internal light is continuously on. Three minutes after closing the door the light will dim for a more subtle look.



DOOR OPENING LIGHT

Internal light will switch on when the door is opened, and off when the door is closed.



TIMER

This function keeps the lights on for 10 minutes once the door is closed and then switches off.



BRIGHTNESS

Once a light function is selected you can adjust the brightness of the internal lighting.



NORMAL MODE

The wine cabinet will operate with the temperatures you select.



ECO MODE

Lighting and control panel turns off and the compressor is delayed. Perfect for saving energy.



INTELLIGENT MODE

The fan speed adjusts according to the ambient temperature reducing noise levels and saving energy.



DEMO MODE

Primarily for Retail use. In this mode the compressor and heater are disabled and the fan input is reduced.



The Wi6160 undercounter integrated wine cabinet is the only one of its kind in the European Market. Simply make a frame for the cabinet to match your kitchen furniture to create a seamlessly discreet and truly unique, luxurious style.

SENSE & CLASSIC WINE CABINETS

FILLER PANELS & PLINTHS

If you have a reduced plinth you can use a filler panel made from the same material as the wine cabinet [stainless steel or black], to create a seamless look with no gap.

A full plinth or recessed plinth grille option is available for our undercounter wine cabinets. They neatly cover the ventilation hole in the plinth and blend in with your kitchen décor.



DUAL ZONE

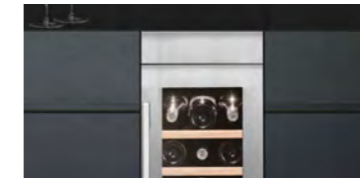
Dual zone wine cabinets allow you to store your collection at the perfect temperature for storing and drinking.

CHAMPAGNE SHELVES

The easy-slide beech shelves are non-scratch so they won't damage bottle labels. If Champagne is your drink of choice, the slatted design allows you to store larger bottles so you're prepared for any special occasion.

GLASS SHELVES

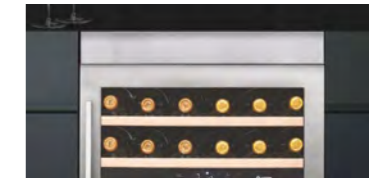
The glass shelves allow you to convert some of your wine cabinet into storage for canned drinks.



FILLER PANEL

FP300SS [Stainless steel - shown]
FP300BK [Black glass]

- w: 300mm
- Stainless steel or black glass
- Suitable for 300mm wine cabinets



FILLER PANEL

FP600SS [Stainless steel - shown]
FP600BK [Black glass]

- w: 600mm
- Stainless steel or black glass
- Suitable for 600mm single door wine cabinets



FULL HEIGHT PLINTH GRILLE GRILL/CLASS150

- w: 150mm
- Stainless steel
- Suitable for 150mm wine cabinets



FULL HEIGHT PLINTH GRILLE GRILL/CLASS301

- w: 300mm
- Stainless steel
- Suitable for 300mm wine cabinets



FULL HEIGHT PLINTH GRILLE GRILL/CLASS601

- w: 600mm
- Stainless steel
- Suitable for 600mm wine cabinets



UNIVERSAL PLINTH GRILLE GRILL/SENSE600

- w: 525mm
- Stainless steel top fixing plinth grille



UNIVERSAL PLINTH GRILLE GRILL/SENSE/GM

- w: 525mm
- Gunmetal top fixing plinth grille



UNIVERSAL PLINTH GRILLE GRILL/SENSE300

- w: 250mm
- Stainless steel top fixing plinth grille

SENSE PREMIUM INTEGRATED UNDERCOUNTER DUAL ZONE WINE CABINET

PRODUCT CODE

Wi6160

DIMENSIONS

w:595mm

PERFORMANCE

e Energy class A+
Energy consumption
109kWh/yr
Ambient temperature
16°C - 32°C
Temperature range
upper zone 5°C-10°C,
lower zone 10°C - 18°C
Humidity range >65%RH
Quiet operation 43dB[A]

FUNCTIONS

4 Light Functions

- On/Off
- Door opening light
- Timer
- Brightness

4 Programme Settings

- Normal
- Eco
- Intelligent
- Demo

GENERAL FEATURES

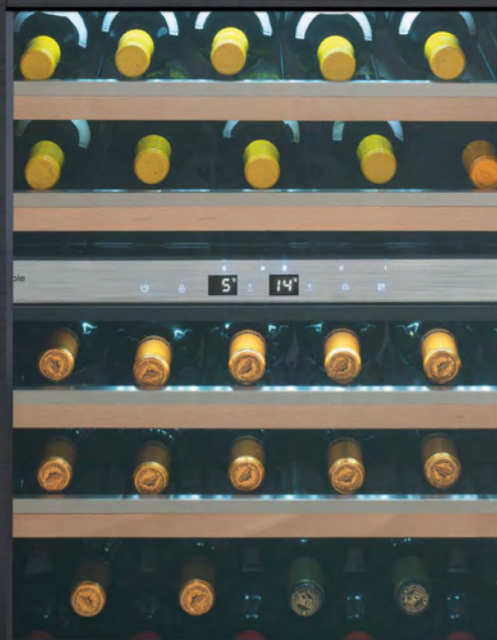
- Fan circulated cool air for even temperature distribution
- Reversible door
- Heater raises internal temperature when external temperature drops
- High temperature and open door alarm
- Upper zone has 2 sliding shelves
- Lower zone has 2 sliding shelves and 1 base shelf
- 100% CFC/HFC free
- Toughened UV protected glass door
- Black cabinet interior and exterior
- Recessed for fitting furniture plinth
- Air ventilation through plinth grille
- Supplied with stainless steel universal plinth grille w:525mm

CAPACITY

- 3.85 Cu Ft/109 Litre total net capacity
 - Stores max. 35 Bordeaux style wine bottles 750ml
- Bottle stacking diagrams available at cagle.co.uk

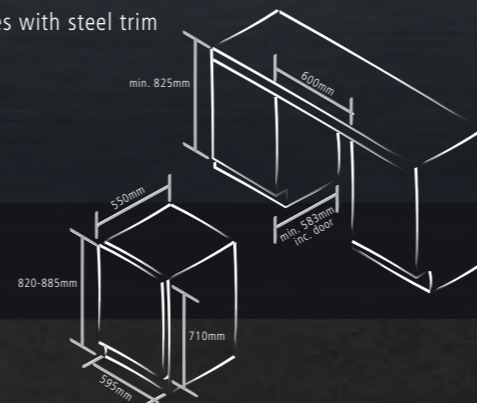
OPTIONAL EXTRAS

- 1 Glass shelf [GSHELF3]
 - Replacement carbon filter [WC1CF]
- Visit cagle.co.uk for full range



KEY FEATURES

- Bespoke furniture door to match your kitchen cabinets required
- Full furniture door with no window can be fitted
- Shelves can accommodate 750ml Bordeaux, Burgundy and Champagne bottles
- No-frost compressor cooling technology maintains a consistent temperature
- Dual stacked temperature zones, independently controlled [upper zone serving, lower zone storage]
- Touch controls and white LED display
- Converts into a can chiller using optional glass shelving
- Charcoal filter
- UV/heat-free white LED lighting [switchable]
- Vibration free
- Adjustable height to fit 100 - 150mm plinth
- Telescopic beech fronted wire shelves with steel trim



PRODUCT CODE

Wi6150

DIMENSIONS

↔ w:595mm

PERFORMANCE

e Energy class A+
 Energy consumption 110kWh/yr
 Ambient temperature 16°C - 32°C
 Temperature range upper zone 5°C-10°C, lower zone 10°C - 18°C
 Humidity range >65%RH
 Quiet operation 43dB[A]

FINISH AVAILABLE

■ Stainless steel

FUNCTIONS

4 Light Functions

- On/Off
- Door opening light
- Timer
- Brightness

4 Programme Settings

- Normal
- Eco
- Intelligent
- Demo

GENERAL FEATURES

- Fan circulated cool air for even temperature distribution
- Reversible door
- Heater raises internal temperature when external temperature drops
- High temperature and open door alarm
- Upper zone has 2 sliding shelves
- Lower zone has 2 sliding shelves and 1 base shelf
- 100% CFC/HFC free
- Toughened UV protected glass door
- Black cabinet interior and exterior
- Recessed for fitting furniture plinth
- Air ventilation through plinth grille
- Supplied with stainless steel universal plinth grille w:525mm and full width grille

CAPACITY

- 4.27 Cu Ft/121 Litre total net capacity
- Stores max. 44 Bordeaux style wine bottles 750ml
- Bottle stacking diagrams available at cagle.co.uk

OPTIONAL EXTRAS

- 1 Glass shelf [GSHELF2]
- Replacement carbon filter [WC1CF]
- Filler panel [FP600SS]
- Visit cagle.co.uk for full range

PRODUCT CODE

Wi3150

DIMENSIONS

↔ w:295mm

PERFORMANCE

e Energy class A+
 Energy consumption 107kWh/yr
 Ambient temperature 16°C - 32°C
 Temperature range 5°C - 18°C
 Humidity range >65%RH
 Quiet operation 43dB[A]

FINISH AVAILABLE

■ Stainless steel

FUNCTIONS

- On/Off
- Door opening light
- Timer
- Brightness

4 Programme Settings

- Normal
- Eco
- Intelligent
- Demo

GENERAL FEATURES

- Fan circulated cool air for even temperature distribution
- Reversible door
- High temperature and open door alarm
- 5 Sliding shelves and 1 base shelf
- 100% CFC/HFC free
- Toughened UV protected glass door
- Black cabinet interior and exterior
- Recessed for fitting furniture plinth
- Air ventilation through plinth grille
- Supplied with both stainless steel universal plinth grille w:230mm and full width grille

CAPACITY

- 2.05 Cu Ft/58 Litre total net capacity
- Stores max. 20 Bordeaux style wine bottles 750ml
- Bottle stacking diagrams available at cagle.co.uk

OPTIONAL EXTRAS

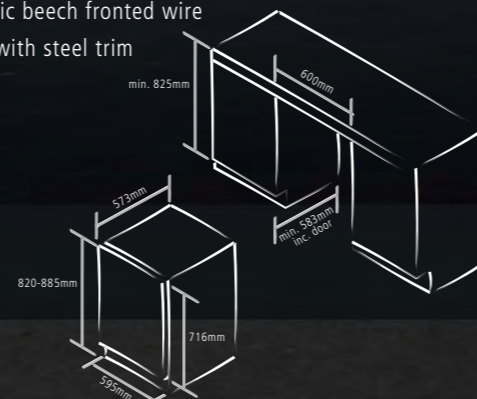
- 1 Glass shelf [GSHELF1]
- Replacement carbon filter [WC1CF]
- Filler panel [FP300SS]
- Visit cagle.co.uk for full range



SENSE PREMIUM UNDERCOUNTER DUAL ZONE WINE CABINET

KEY FEATURES

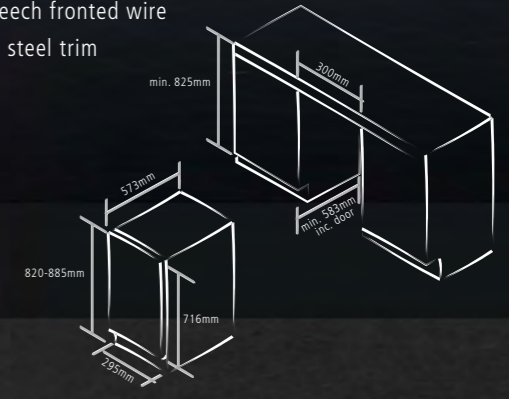
- One piece stainless steel door
- Shelves can accommodate 750ml Bordeaux, Burgundy and Champagne bottles
- No-frost compressor cooling technology maintains a consistent temperature
- Dual stacked temperature zones, independently controlled [upper zone serving, lower zone storage]
- Touch controls and white LED display
- Converts into a can chiller using optional glass shelving
- Charcoal filter
- UV/heat-free white LED lighting [switchable]
- Vibration free
- Adjustable height to fit 100 - 150mm plinth
- Stainless steel handle
- Telescopic beech fronted wire shelves with steel trim

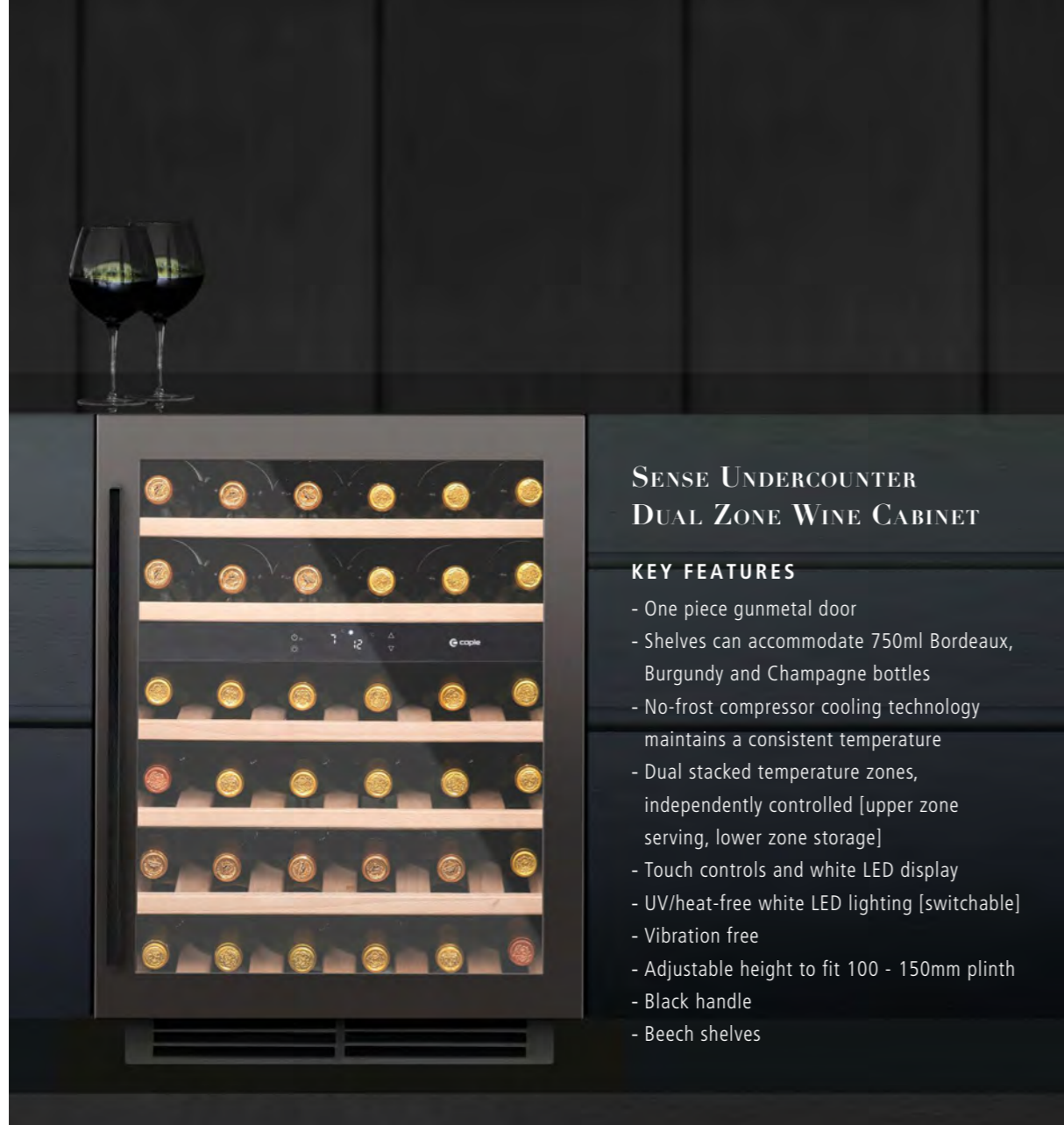


SENSE PREMIUM UNDERCOUNTER SINGLE ZONE WINE CABINET

KEY FEATURES

- One piece stainless steel door
- Shelves can accommodate 750ml Bordeaux, Burgundy and Champagne bottles
- No-frost compressor cooling technology maintains a consistent temperature
- Single temperature zone, stores either red, white or sparkling wine
- Touch controls and white LED display
- Converts into a can chiller using optional glass shelving
- Charcoal filter
- UV/heat-free white LED lighting [switchable]
- Vibration free
- Adjustable height to fit 100 - 150mm plinth
- Stainless steel handle
- Telescopic beech fronted wire shelves with steel trim





SENSE UNDERCOUNTER DUAL ZONE WINE CABINET

KEY FEATURES

- One piece gunmetal door
- Shelves can accommodate 750ml Bordeaux, Burgundy and Champagne bottles
- No-frost compressor cooling technology maintains a consistent temperature
- Dual stacked temperature zones, independently controlled [upper zone serving, lower zone storage]
- Touch controls and white LED display
- UV/heat-free white LED lighting [switchable]
- Vibration free
- Adjustable height to fit 100 - 150mm plinth
- Black handle
- Beech shelves

PRODUCT CODE

Wi6133GM

DIMENSIONS

w:595mm

PERFORMANCE

e Energy class B
 Energy consumption 198kWh/yr
 Ambient temperature 16°C - 32°C
 Temperature range upper zone 5°C - 10°C, lower zone 10°C - 18°C
 Humidity range >65%RH
 Quiet operation 43dB[A]

FINISH AVAILABLE

Gunmetal

GENERAL FEATURES

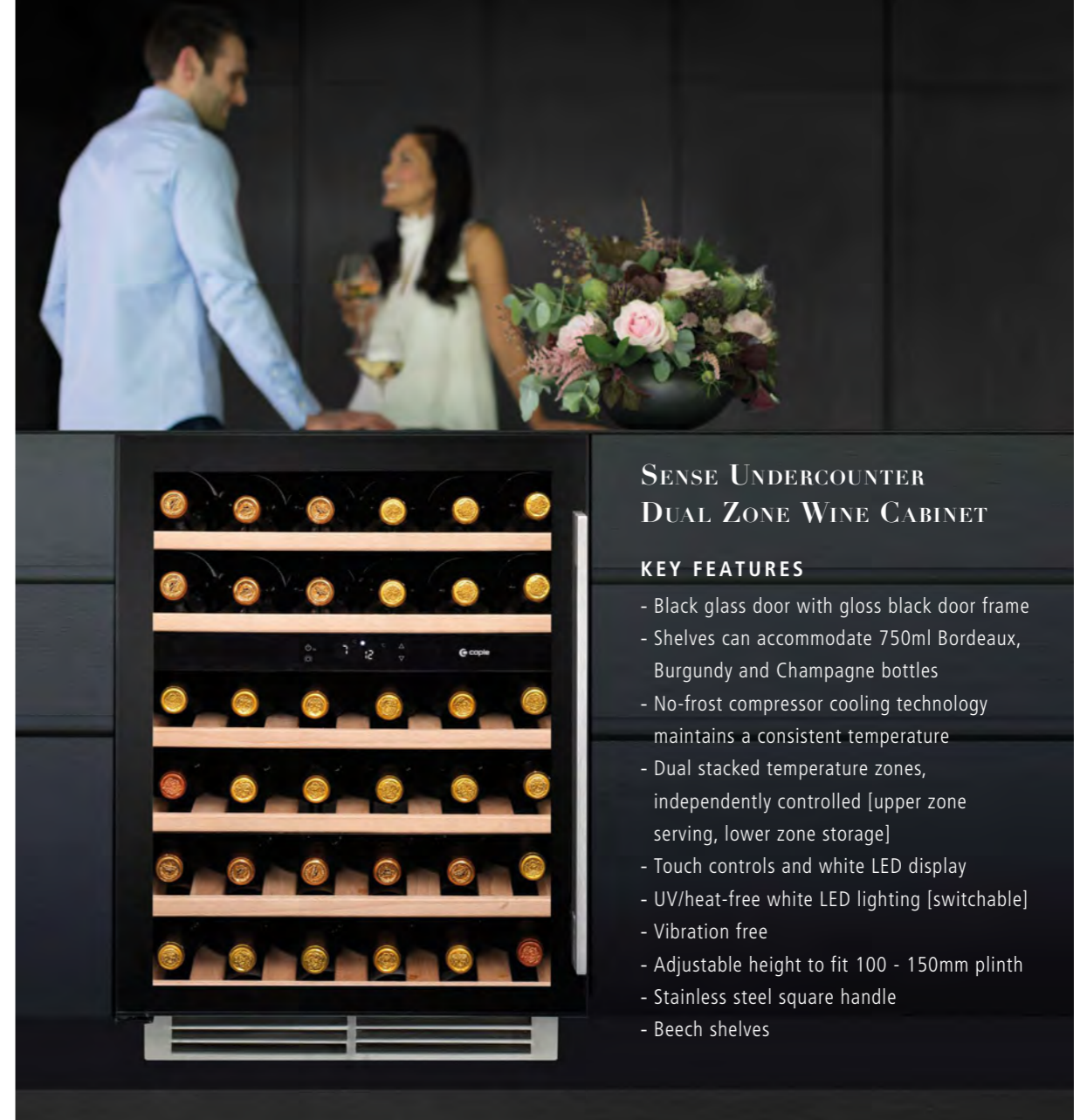
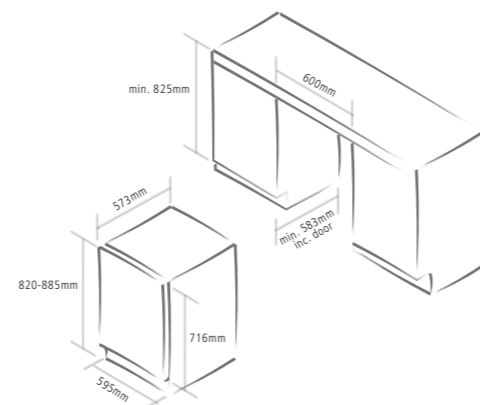
- Fan circulated cool air for even temperature distribution
- Reversible door
- Heater raises internal temperature when external temperature drops
- Upper zone has 2 sliding shelves
- Lower zone has 3 sliding shelves and 1 base shelf
- 100% CFC/HFC free
- Toughened UV protected glass door
- 2 Humidity control water tanks
- Black cabinet interior and exterior
- Recessed for fitting furniture plinth
- Air ventilation through plinth grille
- Supplied with both gunmetal universal plinth grille w:525mm and full width grille

CAPACITY

- 4.73 Cu Ft/134 Litre total net capacity
- 5.79 Cu ft/164 Litre total gross capacity
- Stores max. 46 Bordeaux style wine bottles 750ml [16 upper zone and 30 lower zone]
- Bottle stacking diagrams available at caple.co.uk

OPTIONAL EXTRA

- Stainless steel square handle [HANDLE7]
- Visit caple.co.uk for full range



SENSE UNDERCOUNTER DUAL ZONE WINE CABINET

KEY FEATURES

- Black glass door with gloss black door frame
- Shelves can accommodate 750ml Bordeaux, Burgundy and Champagne bottles
- No-frost compressor cooling technology maintains a consistent temperature
- Dual stacked temperature zones, independently controlled [upper zone serving, lower zone storage]
- Touch controls and white LED display
- UV/heat-free white LED lighting [switchable]
- Vibration free
- Adjustable height to fit 100 - 150mm plinth
- Stainless steel square handle
- Beech shelves

PRODUCT CODE

Wi6134

DIMENSIONS

w:595mm

PERFORMANCE

e Energy class B
 Energy consumption 198kWh/yr
 Ambient temperature 16°C - 32°C
 Temperature range upper zone 5°C - 10°C, lower zone 10°C - 18°C
 Humidity range >65%RH
 Quiet operation 43dB[A]

FINISH AVAILABLE

Black glass

GENERAL FEATURES

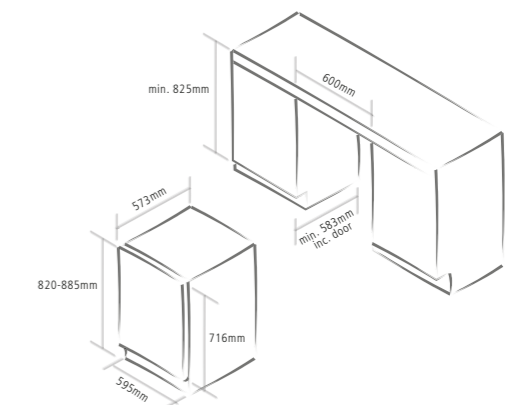
- Fan circulated cool air for even temperature distribution
- Reversible door
- Heater raises internal temperature when external temperature drops
- Upper zone has 2 sliding shelves
- Lower zone has 3 sliding shelves and 1 base shelf
- 100% CFC/HFC free
- Toughened UV protected glass door
- 2 Humidity control water tanks
- Black cabinet interior and exterior
- Recessed for fitting furniture plinth
- Air ventilation through plinth grille
- Supplied with stainless steel universal plinth grille w:525mm

CAPACITY

- 4.73 Cu Ft/134 Litre total net capacity
- 5.79 Cu ft/164 Litre total gross capacity
- Stores max. 46 Bordeaux style wine bottles 750ml [16 upper zone and 30 lower zone]
- Bottle stacking diagrams available at caple.co.uk

OPTIONAL EXTRAS

- Full height stainless steel grille with fixing brackets [GRILL/CLASS601]
- Filler panel [FP600BK]
- Black square handle [HANDLE7BK]
- Visit caple.co.uk for full range





CLASSIC UNDERCOUNTER DUAL ZONE WINE CABINET

KEY FEATURES

- One piece stainless steel door
- Shelves can accommodate 750ml Bordeaux, Burgundy and Champagne bottles
- No-frost compressor cooling technology maintains a consistent temperature
- Dual stacked temperature zones, independently controlled [upper zone serving, lower zone storage]
- Touch controls and white LED display
- UV/heat-free white LED lighting [switchable]
- Vibration free
- Adjustable height to fit 100 - 150mm plinth
- Stainless steel square handle
- Beech shelves

PRODUCT CODE

Wi6133

DIMENSIONS

↔ w:595mm

PERFORMANCE

e Energy class B
 Energy consumption 198kWh/yr
 Ambient temperature 16°C - 32°C
 Temperature range upper zone 5°C - 10°C, lower zone 10°C - 18°C
 Humidity range >65%RH
 Quiet operation 43dB[A]

FINISH AVAILABLE

Stainless steel

GENERAL FEATURES

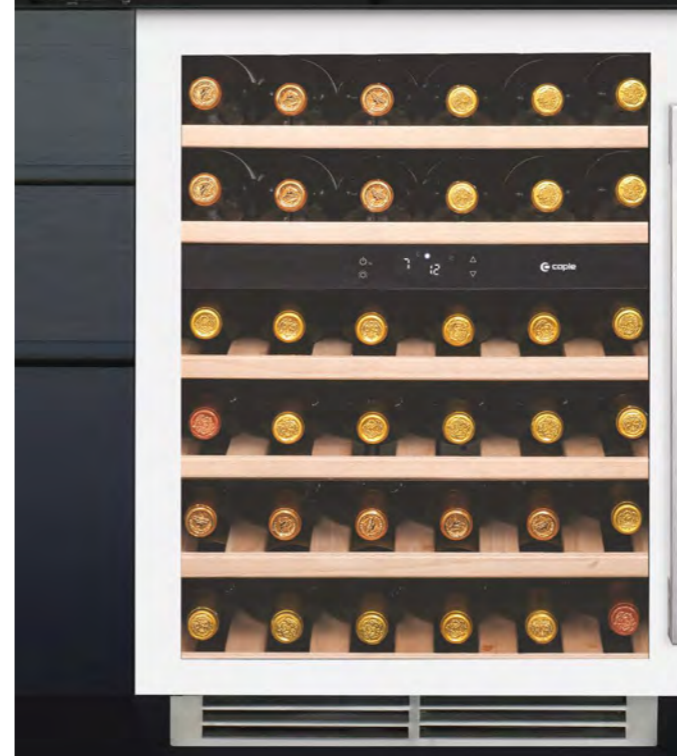
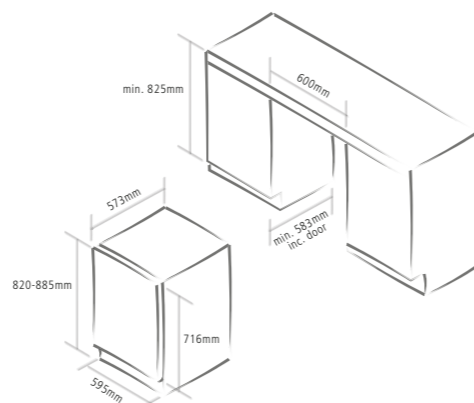
- Fan circulated cool air for even temperature distribution
- Reversible door
- Heater raises internal temperature when external temperature drops
- Upper zone has 2 sliding shelves
- Lower zone has 3 sliding shelves and 1 base shelf
- 100% CFC/HFC free
- Toughened UV protected glass door
- 2 Humidity control water tanks
- Black cabinet interior and exterior
- Recessed for fitting furniture plinth
- Air ventilation through plinth grille
- Supplied with both stainless steel universal plinth grille w:525mm and full width grille

CAPACITY

- 4.73 Cu Ft/134 Litre total net capacity
 - 5.79 Cu ft/164 Litre total gross capacity
 - Stores max. 46 Bordeaux style wine bottles 750ml [16 upper zone and 30 lower zone]
- Bottle stacking diagrams available at caple.co.uk

OPTIONAL EXTRA

- Filler panel [FP600SS]
 Visit caple.co.uk for full range



SENSE UNDERCOUNTER DUAL ZONE WINE CABINET

KEY FEATURES

- White glass door with white door frame
- Shelves can accommodate 750ml Bordeaux, Burgundy and Champagne bottles
- No-frost compressor cooling technology maintains a consistent temperature
- Dual stacked temperature zones, independently controlled [upper zone serving, lower zone storage]
- Touch controls and white LED display
- UV/heat-free white LED lighting [switchable]
- Vibration free
- Adjustable height to fit 100 - 150mm plinth
- Stainless steel square handle
- Beech shelves

PRODUCT CODE

Wi6134WH

DIMENSIONS

↔ w:595mm

PERFORMANCE

e Energy class B
 Energy consumption 198kWh/yr
 Ambient temperature 16°C - 32°C
 Temperature range upper zone 5°C - 10°C, lower zone 10°C - 18°C
 Humidity range >65%RH
 Quiet operation 43dB[A]

FINISH AVAILABLE

White glass

GENERAL FEATURES

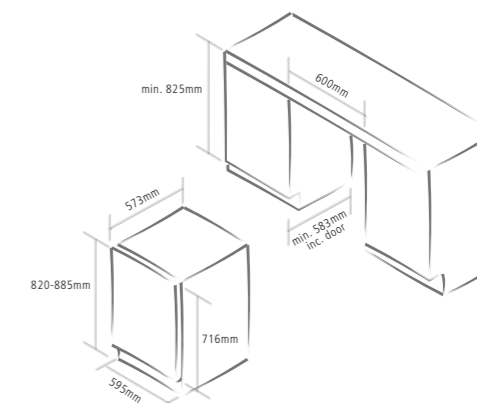
- Fan circulated cool air for even temperature distribution
- Reversible door
- Heater raises internal temperature when external temperature drops
- Upper zone has 2 sliding shelves
- Lower zone has 3 sliding shelves and 1 base shelf
- 100% CFC/HFC free
- Toughened UV protected glass door
- 2 Humidity control water tanks
- Black cabinet interior and exterior
- Recessed for fitting furniture plinth
- Air ventilation through plinth grille
- Supplied with stainless steel universal plinth grille w:525mm

CAPACITY

- 4.73 Cu Ft/134 Litre total net capacity
 - 5.79 Cu ft/164 Litre total gross capacity
 - Stores max. 46 Bordeaux style wine bottles 750ml [16 upper zone and 30 lower zone]
- Bottle stacking diagrams available at caple.co.uk

OPTIONAL EXTRA

- Full height stainless steel grille with fixing brackets [GRILL/CLASS601]
 Visit caple.co.uk for full range



SENSE UNDERCOUNTER
DUAL ZONE WINE CABINET



KEY FEATURES

- Black glass doors with gloss black door frame
- Shelves can accommodate 750ml Bordeaux, Burgundy and Champagne bottles
- No-frost compressor cooling technology maintains a consistent temperature
- Dual side-by-side temperature zones, independently controlled [both zones suitable for either serving or storage]
- Touch controls and white LED display
- Converts into a can chiller using optional glass shelving
- UV/heat-free white LED lighting [switchable]
- Vibration free
- Adjustable height to fit 100 - 150mm plinth
- Stainless steel square handles
- Beech shelves

CLASSIC UNDERCOUNTER
DUAL ZONE WINE CABINET



KEY FEATURES

- Stainless steel doors
- Shelves can accommodate 750ml Bordeaux, Burgundy and Champagne bottles
- No-frost compressor cooling technology maintains a consistent temperature
- Dual side-by-side temperature zones, independently controlled [both zones suitable for either serving or storage]
- Touch controls and white LED display
- Converts into a can chiller using optional glass shelving
- UV/heat-free white LED lighting [switchable]
- Vibration free
- Adjustable height to fit 100 - 150mm plinth
- Stainless steel square handles
- Beech shelves

PRODUCT CODE

Wi6233

DIMENSIONS

w:595mm

PERFORMANCE

Energy class B
Energy consumption 195kWh/yr
Ambient temperature 16°C - 32°C
Temperature range 5°C - 18°C [both zones]
Humidity range >65%RH
Quiet operation 43dB[A]

FINISH AVAILABLE

Black glass

GENERAL FEATURES

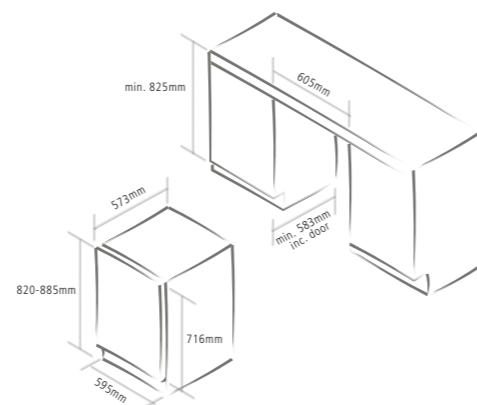
- Fan circulated cool air for even temperature distribution
- 5 Sliding shelves and 1 base shelf per zone
- 100% CFC/HFC free
- Toughened UV protected glass door
- 2 Humidity control water tanks
- Black cabinet interior and exterior
- Recessed for fitting furniture plinth
- Air ventilation through plinth grille
- Supplied with stainless steel universal plinth grille w:525mm

CAPACITY

- 4.20 Cu ft/119 Litre total net capacity
- 4.73 Cu ft/134 Litre total gross capacity
- Stores max. 38 Bordeaux style wine bottles 750ml [19 bottles per zone]
Bottle stacking diagrams available at caple.co.uk

OPTIONAL EXTRAS

- 3 Frosted glass shelves with black plastic trim [GSHELFPACK/300]
- Full height stainless steel grille with fixing brackets [GRILL/CLASS601]
- Black square handle, 2 required [HANDLE7BK]
Visit caple.co.uk for full range



PRODUCT CODE

Wi6232

DIMENSIONS

w:595mm

PERFORMANCE

Energy class B
Energy consumption 195kWh/yr
Ambient temperature 16°C - 32°C
Temperature range 5°C - 18°C [both zones]
Humidity range >65%RH
Quiet operation 43dB[A]

FINISH AVAILABLE

Stainless steel

GENERAL FEATURES

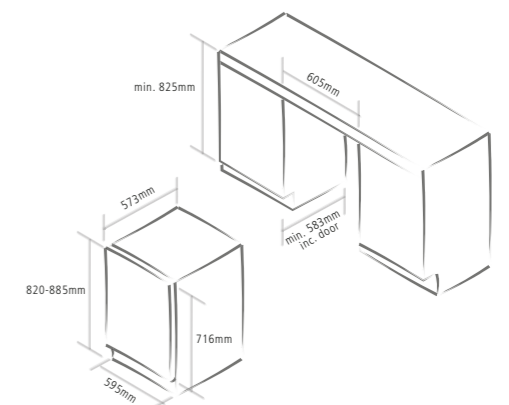
- Fan circulated cool air for even temperature distribution
- 5 Sliding shelves and 1 base shelf per zone
- 100% CFC/HFC free
- Toughened UV protected glass door
- 2 Humidity control water tanks
- Black cabinet interior and exterior
- Recessed for fitting furniture plinth
- Air ventilation through plinth grille
- Supplied with both stainless steel universal plinth grille w:525mm and full width grille

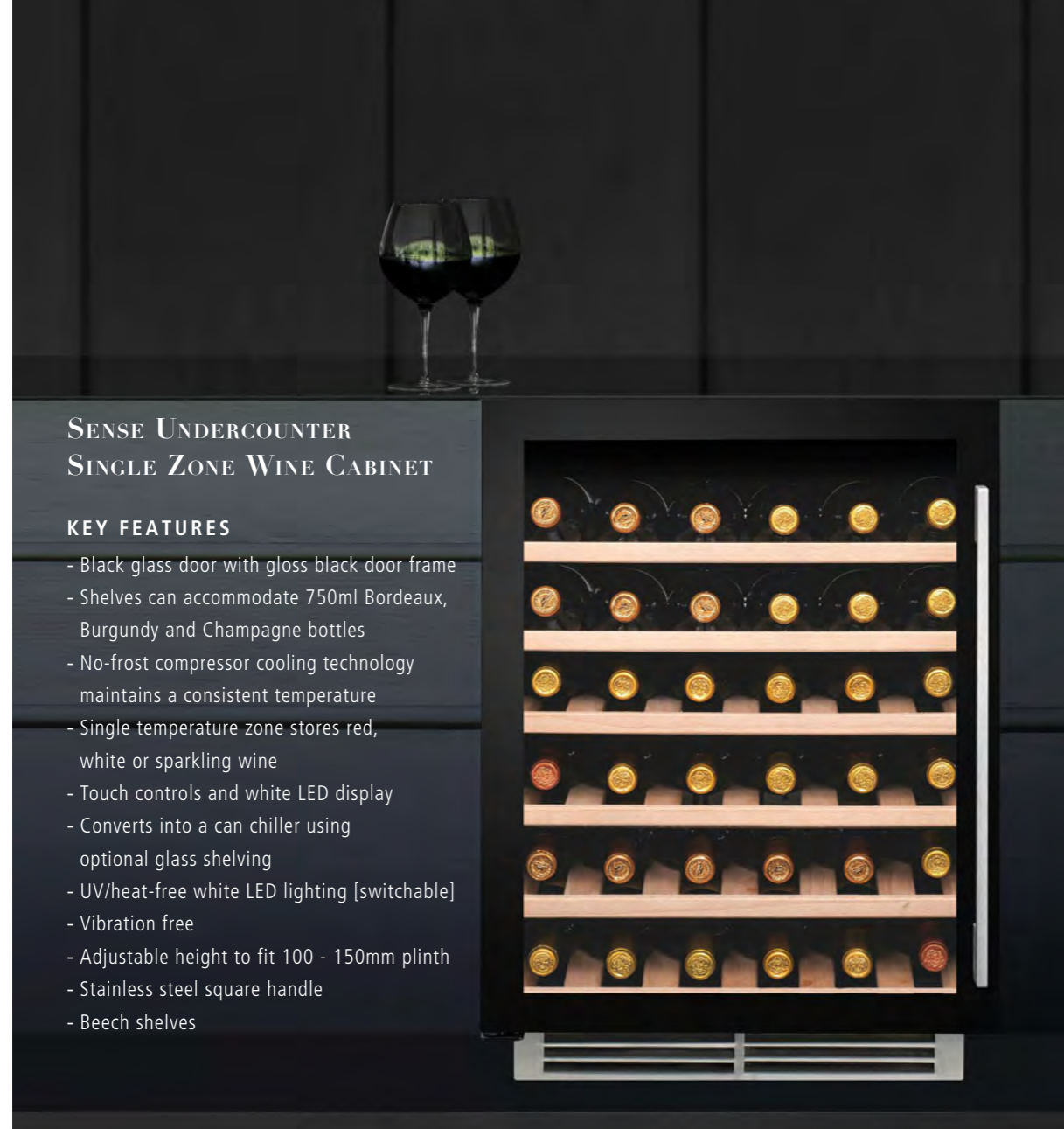
CAPACITY

- 4.20 Cu ft/119 Litre total net capacity
- 4.73 Cu ft/134 Litre total gross capacity
- Stores max. 38 Bordeaux style wine bottles 750ml [19 bottles per zone]
Bottle stacking diagrams available at caple.co.uk

OPTIONAL EXTRAS

- 3 Frosted glass shelves with black plastic trim [GSHELFPACK/300]
Visit caple.co.uk for full range





SENSE UNDERCOUNTER SINGLE ZONE WINE CABINET

KEY FEATURES

- Black glass door with gloss black door frame
- Shelves can accommodate 750ml Bordeaux, Burgundy and Champagne bottles
- No-frost compressor cooling technology maintains a consistent temperature
- Single temperature zone stores red, white or sparkling wine
- Touch controls and white LED display
- Converts into a can chiller using optional glass shelving
- UV/heat-free white LED lighting [switchable]
- Vibration free
- Adjustable height to fit 100 - 150mm plinth
- Stainless steel square handle
- Beech shelves



PRODUCT CODE

Wi6141

DIMENSIONS

↳ w:595mm

PERFORMANCE

e Energy class A
 Energy consumption 145kWh/yr
 Ambient temperature 16°C - 32°C
 Temperature range 5°C - 18°C
 Humidity range >65%RH
 Quiet operation 43dB[A]

FINISH AVAILABLE

■ Black glass

GENERAL FEATURES

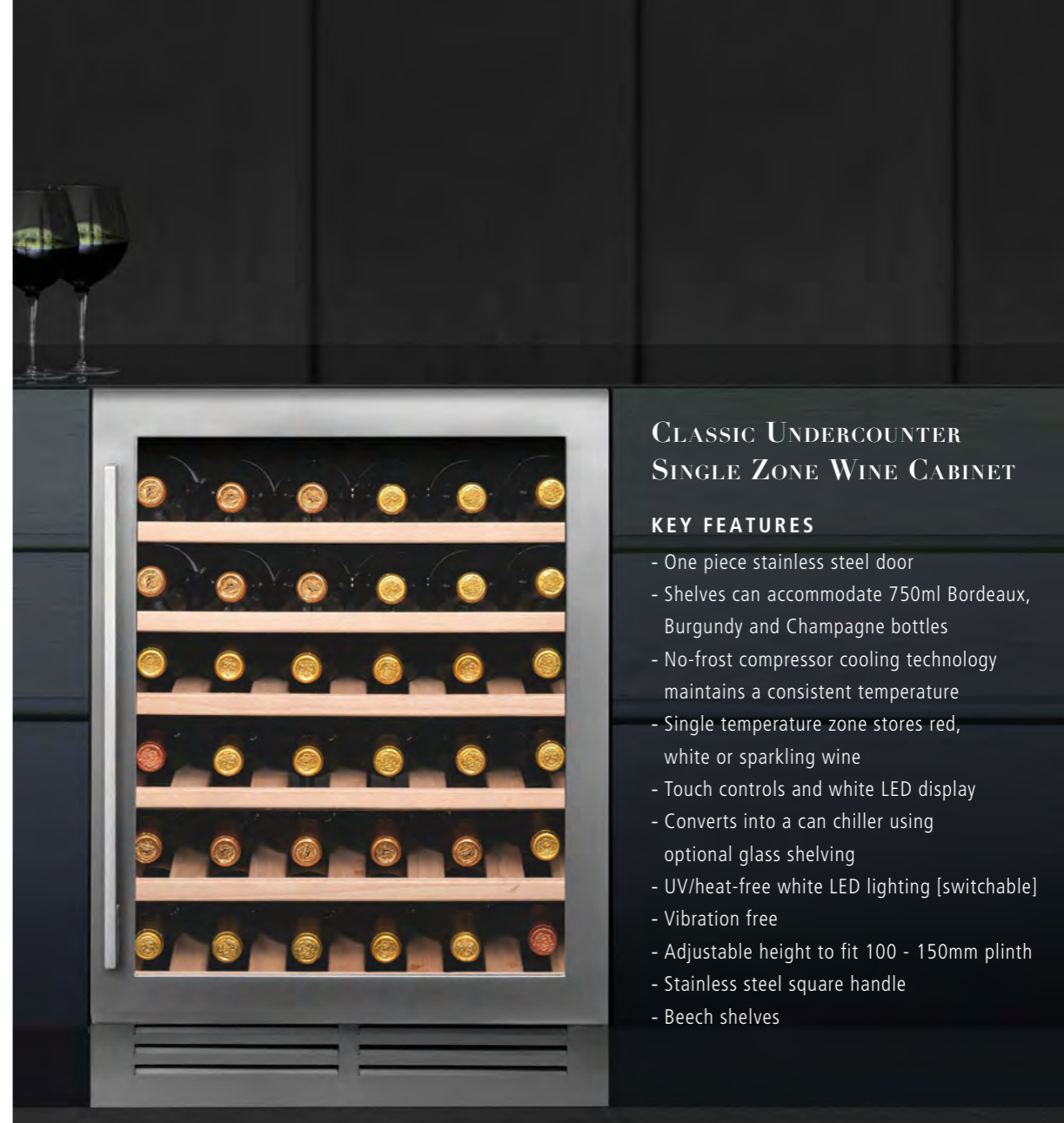
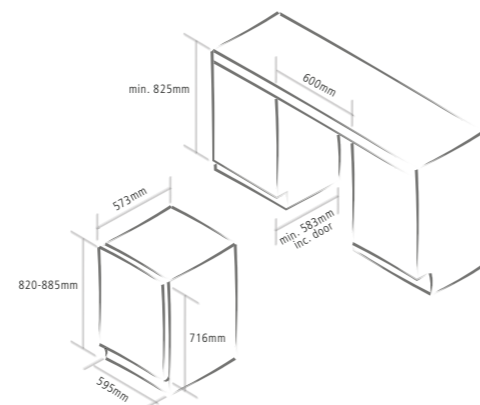
- Fan circulated cool air for even temperature distribution
- Reversible door
- 5 Sliding shelves and 1 base shelf
- 100% CFC/HFC free
- Toughened UV protected glass door
- Humidity control water tank
- Black cabinet interior and exterior
- Recessed for fitting furniture plinth
- Air ventilation through plinth grille
- Supplied with stainless steel universal plinth grille w:525mm

CAPACITY

- 5.15 Cu Ft/146 Litre total net capacity
 - 5.79 Cu ft/164 Litre total gross capacity
 - Stores max. 52 Bordeaux style wine bottles 750ml [8 bottles per sliding shelf, 6 bottles on base shelf, 14 on top shelf]
 Bottle stacking diagrams available at caple.co.uk

OPTIONAL EXTRAS

- 3 Frosted glass shelves with black plastic trim [GSHELFPAK/600]
 - Full height stainless steel grille with fixing brackets [GRILL/CLASS601]
 - Filler panel [FP600BK]
 - Black square handle [HANDLE7BK]
- Visit caple.co.uk for full range



CLASSIC UNDERCOUNTER SINGLE ZONE WINE CABINET

KEY FEATURES

- One piece stainless steel door
- Shelves can accommodate 750ml Bordeaux, Burgundy and Champagne bottles
- No-frost compressor cooling technology maintains a consistent temperature
- Single temperature zone stores red, white or sparkling wine
- Touch controls and white LED display
- Converts into a can chiller using optional glass shelving
- UV/heat-free white LED lighting [switchable]
- Vibration free
- Adjustable height to fit 100 - 150mm plinth
- Stainless steel square handle
- Beech shelves

PRODUCT CODE

Wi6140

DIMENSIONS

↳ w:595mm

PERFORMANCE

e Energy class A
 Energy consumption 145kWh/yr
 Ambient temperature 16°C - 32°C
 Temperature range 5°C - 18°C
 Humidity range >65%RH
 Quiet operation 43dB[A]

FINISH AVAILABLE

■ Stainless steel

GENERAL FEATURES

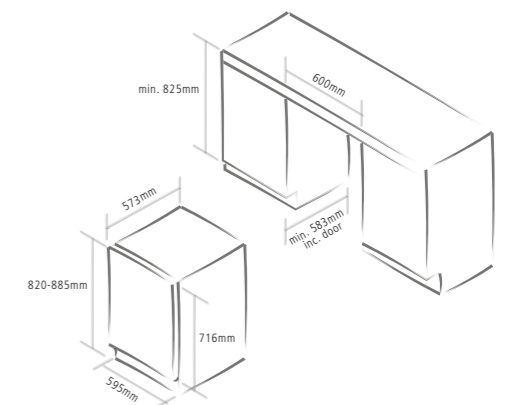
- Fan circulated cool air for even temperature distribution
- Reversible door
- 5 Sliding shelves and 1 base shelf
- 100% CFC/HFC free
- Toughened UV protected glass door
- Humidity control water tank
- Black cabinet interior and exterior
- Recessed for fitting furniture plinth
- Air ventilation through plinth grille
- Supplied with both stainless steel universal plinth grille w:525mm and full width grille

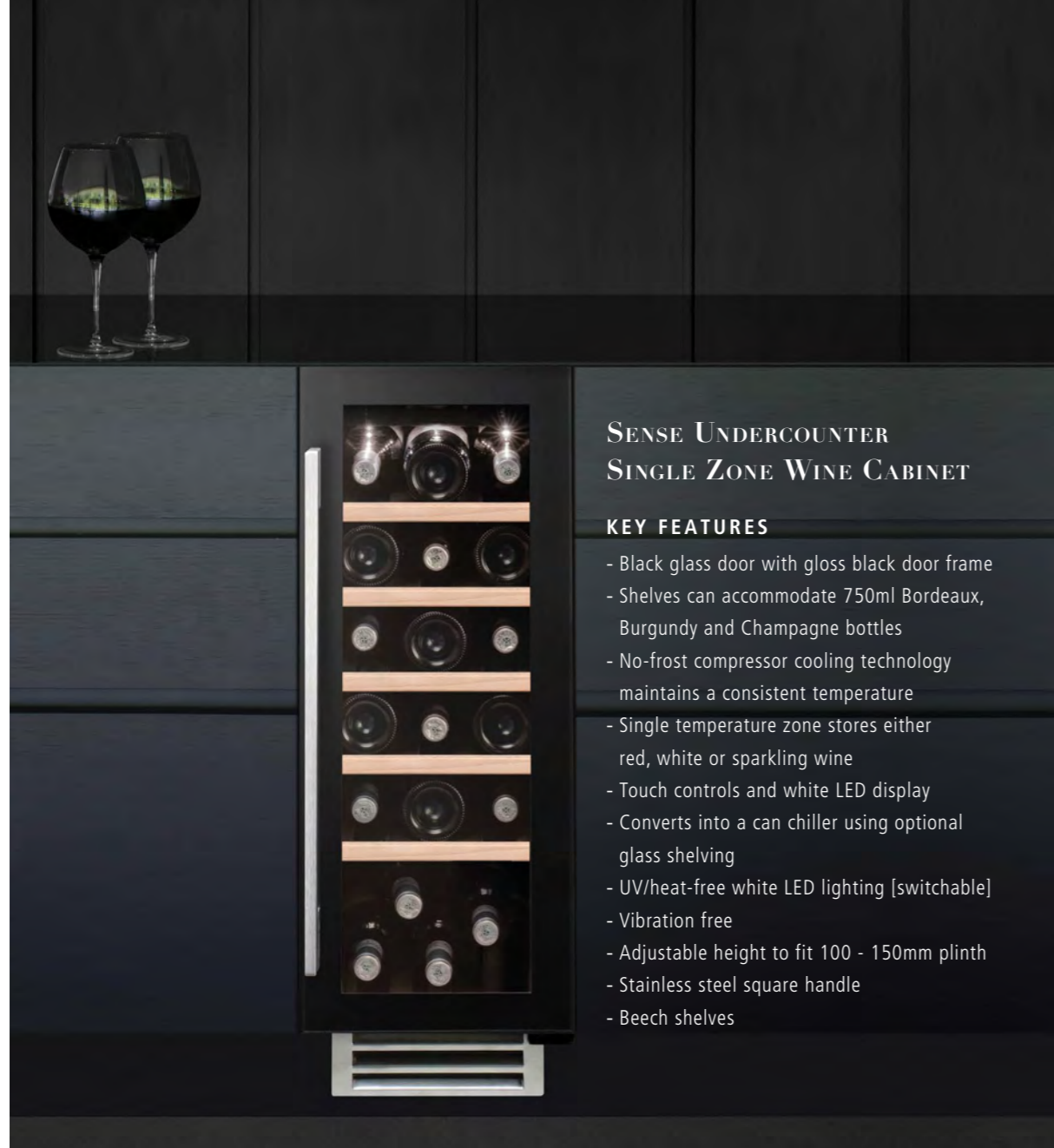
CAPACITY

- 5.15 Cu Ft/146 Litre total net capacity
 - 5.79 Cu ft/164 Litre total gross capacity
 - Stores max. 52 Bordeaux style wine bottles 750ml [8 bottles per sliding shelf, 6 bottles on base shelf, 14 on top shelf]
 Bottle stacking diagrams available at caple.co.uk

OPTIONAL EXTRA

- 3 Frosted glass shelves with black plastic trim [GSHELFPAK/600]
 - Filler panel [FP600SS]
- Visit caple.co.uk for full range





SENSE UNDERCOUNTER SINGLE ZONE WINE CABINET

KEY FEATURES

- Black glass door with gloss black door frame
- Shelves can accommodate 750ml Bordeaux, Burgundy and Champagne bottles
- No-frost compressor cooling technology maintains a consistent temperature
- Single temperature zone stores either red, white or sparkling wine
- Touch controls and white LED display
- Converts into a can chiller using optional glass shelving
- UV/heat-free white LED lighting [switchable]
- Vibration free
- Adjustable height to fit 100 - 150mm plinth
- Stainless steel square handle
- Beech shelves

PRODUCT CODE

Wi3124

DIMENSIONS

↔ w:295mm

PERFORMANCE

e Energy class A
 Energy consumption 140kWh/yr
 Ambient temperature 16°C - 32°C
 Temperature range 5°C - 18°C
 Humidity range >65%RH
 Quiet operation 43dB[A]

FINISH AVAILABLE

■ Black glass

GENERAL FEATURES

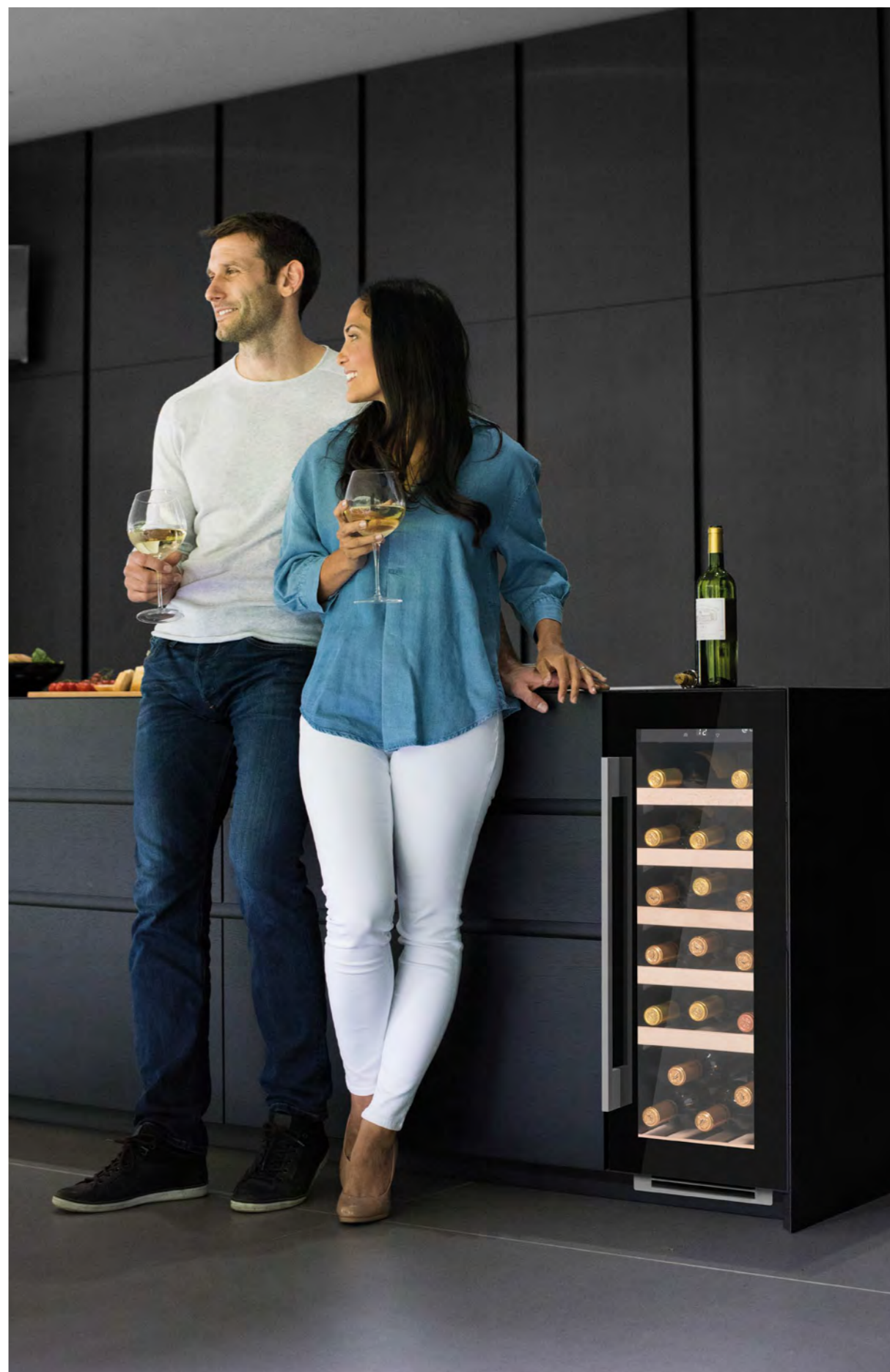
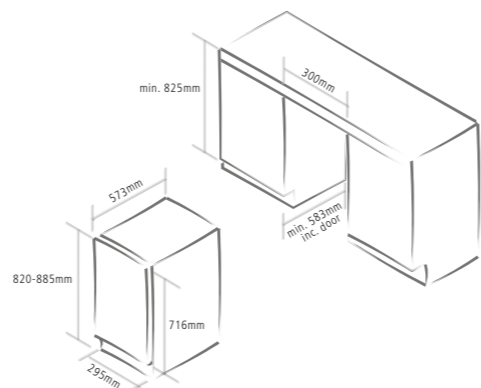
- Fan circulated cool air for even temperature distribution
- Reversible door
- 5 Sliding shelves and 1 base shelf
- 100% CFC/HFC free
- Toughened UV protected glass door
- Humidity control water tank
- Black cabinet interior and exterior
- Recessed for fitting furniture plinth
- Air ventilation through plinth grille
- Supplied with stainless steel universal plinth grille w:230mm

CAPACITY

- 1.98 Cu Ft/56 Litre total net capacity
 - 2.33 Cu ft/66 Litre total gross capacity
 - Stores max.19 Bordeaux style wine bottles 750ml
- Bottle stacking diagrams available at caple.co.uk

OPTIONAL EXTRAS

- 3 Frosted glass shelves with black plastic trim [GSHELFPAK/300]
 - Full height stainless steel grille with fixing brackets [GRILL/CLASS301]
 - Filler panel [FP300BK]
 - Black square handle [HANDLE7BK]
- Visit caple.co.uk for full range





CLASSIC UNDERCOUNTER SINGLE ZONE WINE CABINET

KEY FEATURES

- One piece stainless steel door
- Shelves can accommodate 750ml Bordeaux, Burgundy and Champagne bottles
- No-frost compressor cooling technology maintains a consistent temperature
- Single temperature zone stores red, white or sparkling wine
- Touch controls and white LED display
- Converts into a can chiller using optional glass shelving
- UV/heat-free white LED lighting [switchable]
- Vibration free
- Adjustable height to fit 100 - 150mm plinth
- Stainless steel square handle
- Beech shelves

PRODUCT CODE

Wi3123

DIMENSIONS

↳ w:295mm

PERFORMANCE

e Energy class A
 Energy consumption 140kWh/yr
 Ambient temperature 16°C - 32°C
 Temperature range 5°C - 18°C
 Humidity range >65%RH
 Quiet operation 43dB[A]

FINISH AVAILABLE

Stainless steel

GENERAL FEATURES

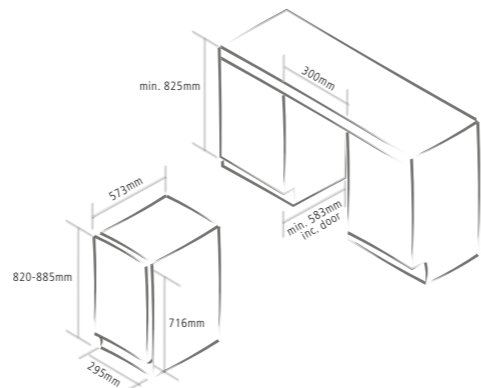
- Fan circulated cool air for even temperature distribution
- Reversible door
- 5 Sliding shelves and 1 base shelf
- 100% CFC/HFC free
- Toughened UV protected glass door
- Humidity control water tank
- Black cabinet interior and exterior
- Recessed for fitting furniture plinth
- Air ventilation through plinth grille
- Supplied with both stainless steel universal plinth grille w:230mm and full width grille

CAPACITY

- 1.98 Cu Ft/56 Litre total net capacity
 - 2.33 Cu ft/66 Litre total gross capacity
 - Stores max.19 Bordeaux style wine bottles 750ml
- Bottle stacking diagrams available at caple.co.uk

OPTIONAL EXTRA

- 3 Frosted glass shelves with black plastic trim [GSHELFPAK/300]
 - Filler panel [FP300SS]
- Visit caple.co.uk for full range



SENSE UNDERCOUNTER SINGLE ZONE WINE CABINET

KEY FEATURES

- White glass door with gloss white door frame
- Shelves can accommodate 750ml Bordeaux, Burgundy and Champagne bottles
- No-frost compressor cooling technology maintains a consistent temperature
- Single temperature zone stores red, white or sparkling wine
- Touch controls and white LED display
- Converts into a can chiller using optional glass shelving
- UV/heat-free white LED lighting [switchable]
- Vibration free
- Adjustable height to fit 100 - 150mm plinth
- Stainless steel square handle
- Beech shelves

PRODUCT CODE

Wi3124WH

DIMENSIONS

↳ w:295mm

PERFORMANCE

e Energy class A
 Energy consumption 140kWh/yr
 Ambient temperature 16°C - 32°C
 Temperature range 5°C - 18°C
 Humidity range >65%RH
 Quiet operation 43dB[A]

FINISH AVAILABLE

White glass

GENERAL FEATURES

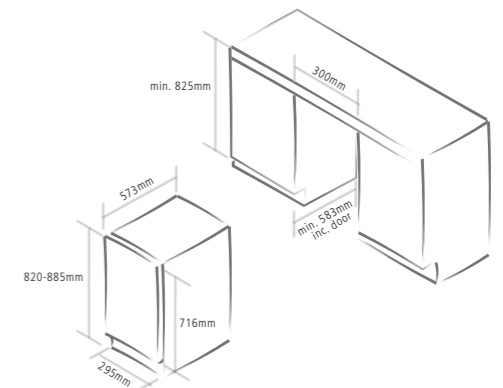
- Fan circulated cool air for even temperature distribution
- Reversible door
- 5 Sliding shelves and 1 base shelf
- 100% CFC/HFC free
- Toughened UV protected glass door
- Humidity control water tank
- Black cabinet interior and exterior
- Recessed for fitting furniture plinth
- Air ventilation through plinth grille
- Supplied with stainless steel universal plinth grille w:230mm

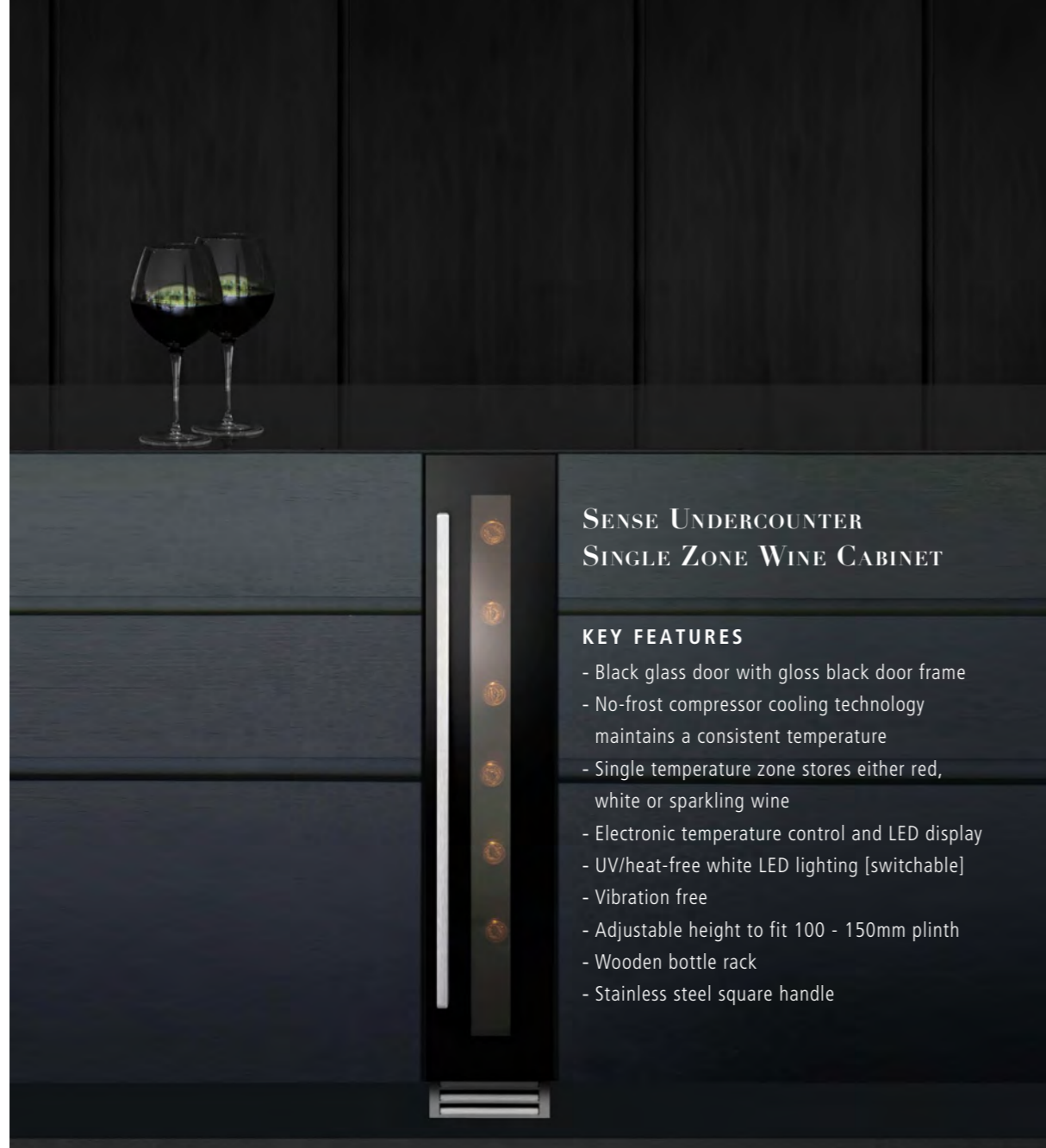
CAPACITY

- 1.98 Cu Ft/56 Litre total net capacity
 - 2.33 Cu ft/66 Litre total gross capacity
 - Stores max.19 Bordeaux style wine bottles 750ml
- Bottle stacking diagrams available at caple.co.uk

OPTIONAL EXTRAS

- 3 Frosted glass shelves with black plastic trim [GSHELFPAK/300]
 - Full height stainless steel grille with fixing brackets [GRILL/CLASS301]
- Visit caple.co.uk for full range





**SENSE UNDERCOUNTER
SINGLE ZONE WINE CABINET**

KEY FEATURES

- Black glass door with gloss black door frame
- No-frost compressor cooling technology maintains a consistent temperature
- Single temperature zone stores either red, white or sparkling wine
- Electronic temperature control and LED display
- UV/heat-free white LED lighting [switchable]
- Vibration free
- Adjustable height to fit 100 - 150mm plinth
- Wooden bottle rack
- Stainless steel square handle

PRODUCT CODE

Wi156

DIMENSIONS

w:145mm

PERFORMANCE

e Energy class A
 Energy consumption 135kWh/yr
 Ambient temperature 16°C - 32°C
 Temperature range 5°C - 18°C
 Humidity range >65%RH
 Quiet operation 44dB[A]

FINISH AVAILABLE

Black glass

FEATURES

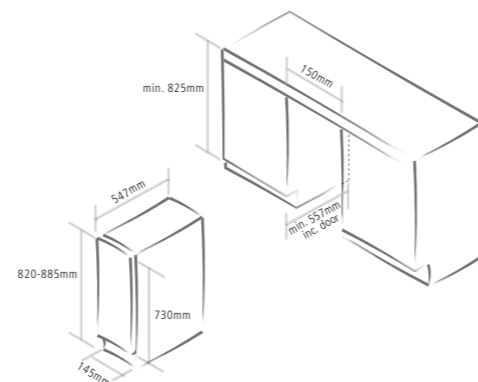
- Fan circulated cool air for even temperature distribution
- Reversible door
- 6 wooden rack slots and 1 base shelf
- 100% CFC/HFC free
- Toughened UV protected glass door
- Black cabinet interior and exterior
- Air ventilation through plinth grille
- Supplied with stainless steel universal plinth grille w:144mm

CAPACITY

- 0.81 Cu ft/23 Litre total net capacity
 - 0.88 Cu ft/25 Litre total gross capacity
 - Stores max. 8 Bordeaux style wine bottles 750ml
 - Not suitable for champagne bottles
- Bottle stacking diagrams available at caple.co.uk

OPTIONAL EXTRA

- Black square handle [HANDLE7BK]
 - Full height stainless steel grille with fixing brackets [GRILL/CLASS150]
- Visit caple.co.uk for full range



**CLASSIC UNDERCOUNTER
SINGLE ZONE WINE CABINET**

KEY FEATURES

- One piece stainless steel door
- No-frost compressor cooling technology maintains a consistent temperature
- Single temperature zone stores either red, white or sparkling wine
- Electronic temperature control and LED display
- UV/heat-free white LED lighting [switchable]
- Vibration free
- Adjustable height to fit 100 - 150mm plinth
- Wooden bottle rack
- Stainless steel square handle

PRODUCT CODE

Wi157

DIMENSIONS

w:145mm

PERFORMANCE

e Energy class A
 Energy consumption 135kWh/yr
 Ambient temperature 16°C - 32°C
 Temperature range 5°C - 18°C
 Humidity range >65%RH
 Quiet operation 44dB[A]

FINISH AVAILABLE

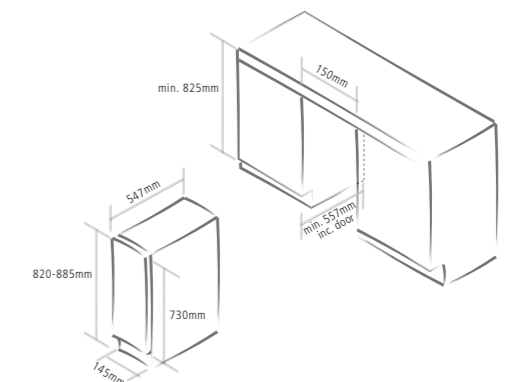
Stainless steel

FEATURES

- Fan circulated cool air for even temperature distribution
- Reversible door
- 6 wooden rack slots and 1 base shelf
- 100% CFC/HFC free
- Toughened UV protected glass door
- Black cabinet interior and exterior
- Air ventilation through plinth grille
- Supplied with both stainless steel universal plinth grille w:144mm and full width grille

CAPACITY

- 0.81 Cu ft/23 Litre total net capacity
 - 0.88 Cu ft/25 Litre total gross capacity
 - Stores max. 8 Bordeaux style wine bottles 750ml
 - Not suitable for champagne bottles
- Bottle stacking diagrams available at caple.co.uk



IN-COLUMN
WINE CABINETS



SENSE IN-COLUMN TRIPLE ZONE WINE CABINET

KEY FEATURES

- Black glass door with black gloss frame
- Shelves can accommodate 750ml Bordeaux, Burgundy and Champagne bottles
- No-frost compressor cooling technology maintains a consistent temperature
- Triple stacked temperature zones, independently controlled for storage or serving
- Touch control and white LED display
- UV/heat-free white LED lighting [switchable]
- Vibration free
- Square stainless steel handle
- Telescopic beech shelves



CLASSIC IN-COLUMN TRIPLE ZONE WINE CABINET

KEY FEATURES

- One piece stainless steel door
- Shelves can accommodate 750ml Bordeaux, Burgundy and Champagne bottles
- No-frost compressor cooling technology maintains a consistent temperature
- Triple stacked temperature zones, independently controlled for storage or serving
- Touch control and white LED display
- UV/heat-free white LED lighting [switchable]
- Vibration free
- Square stainless steel handle
- Telescopic beech shelves



PRODUCT CODE

WC1796

DIMENSIONS

h:1788mm

PERFORMANCE

e Energy class A
 Energy consumption 158kWh/yr
 Ambient temperature 16°C - 32°C
 Temperature range upper zone 5°C - 18°C, middle zone 5°C - 10°C, lower zone 10°C - 18°C
 Humidity range >65%RH
 Quiet operation 45dB[A]

FINISH AVAILABLE

Black glass

FEATURES

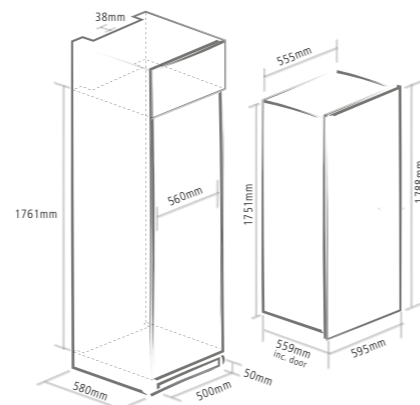
- Fan circulated cool air for even temperature distribution
- Reversible door
- High temperature and open door alarm
- 2 Heaters raise internal temperature when external temperature drops
- Upper zone has 2 sliding shelves and 1 display shelf
- Middle zone has 3 sliding shelves and 1 display shelf
- Lower zone has 3 sliding shelves and 1 base shelf
- Double stacked shelves
- 100% CFC/HFC free
- Toughened UV protected glass door
- 3 Humidity control water tanks
- Black gloss interior and stainless steel back panel
- Air ventilation through plinth grille
- Supplied with stainless steel universal plinth grille w:525mm

CAPACITY

- 8.69 Cu ft/246 Litre total net capacity
 - 10.14 Cu ft/287 Litre total gross capacity
 - Stores max. 89 Bordeaux style wine bottles 750ml [29 bottles on upper zone, 25 bottles on middle zone and 35 bottles on lower zone]
 Bottle stacking diagrams available at caple.co.uk

OPTIONAL EXTRAS

- Square black handle [HANDLE7BK]
 Visit caple.co.uk for full range



PRODUCT CODE

WC1792

DIMENSIONS

h:1788mm

PERFORMANCE

e Energy class A
 Energy consumption 158kWh/yr
 Ambient temperature 16°C - 32°C
 Temperature range upper zone 5°C - 18°C, middle zone 5°C - 10°C, lower zone 10°C - 18°C
 Humidity range >65%RH
 Quiet operation 45dB[A]

FINISH AVAILABLE

Stainless steel

FEATURES

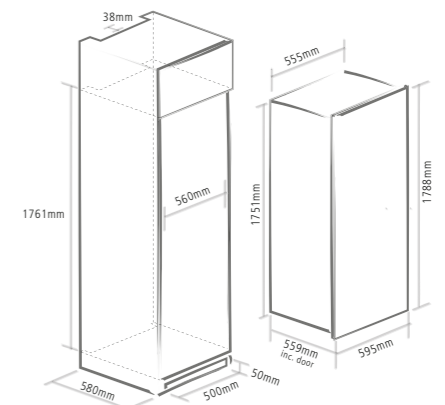
- Fan circulated cool air for even temperature distribution
- Reversible door
- High temperature and open door alarm
- 2 Heaters raise internal temperature when external temperature drops
- Upper zone has 2 sliding shelves and 1 display shelf
- Middle zone has 3 sliding shelves and 1 display shelf
- Lower zone has 3 sliding shelves and 1 base shelf
- Double stacked shelves
- 100% CFC/HFC free
- Toughened UV protected glass door
- 3 Humidity control water tanks
- Black cabinet interior and stainless steel back panel
- Air ventilation through plinth grille
- Supplied with stainless steel universal plinth grille w:525mm

CAPACITY

- 8.69 Cu ft/246 Litre total net capacity
 - 10.14 Cu ft/287 Litre total gross capacity
 - Stores max. 89 Bordeaux style wine bottles 750ml [29 bottles on upper zone, 25 bottles on middle zone and 35 bottles on lower zone]
 Bottle stacking diagrams available at caple.co.uk

OPTIONAL EXTRAS

- Furniture doors [SSDOOR177] shown above
 Visit caple.co.uk for full range



SENSE IN-COLUMN DUAL ZONE WINE CABINET

KEY FEATURES

- Black glass door with gloss black door frame
- Shelves can accommodate 750ml Bordeaux, Burgundy and Champagne bottles
- No-frost compressor cooling technology maintains a consistent temperature
- Dual stacked temperature zones, independently controlled [upper zone serve, lower zone storage]
- Touch controls and white LED display
- UV/heat-free white LED lighting [switchable]
- Vibration free
- Stainless steel square handle
- Beech shelves

PRODUCT CODE

WC6520

DIMENSIONS

h:886mm

PERFORMANCE

e Energy class B
 Energy consumption 198kWh/yr
 Ambient temperature 16°C - 32°C
 Temperature range upper zone 5°C - 10°C, lower zone 10°C - 18°C
 Humidity range >65%RH
 Quiet operation 45dB[A]

FINISH AVAILABLE

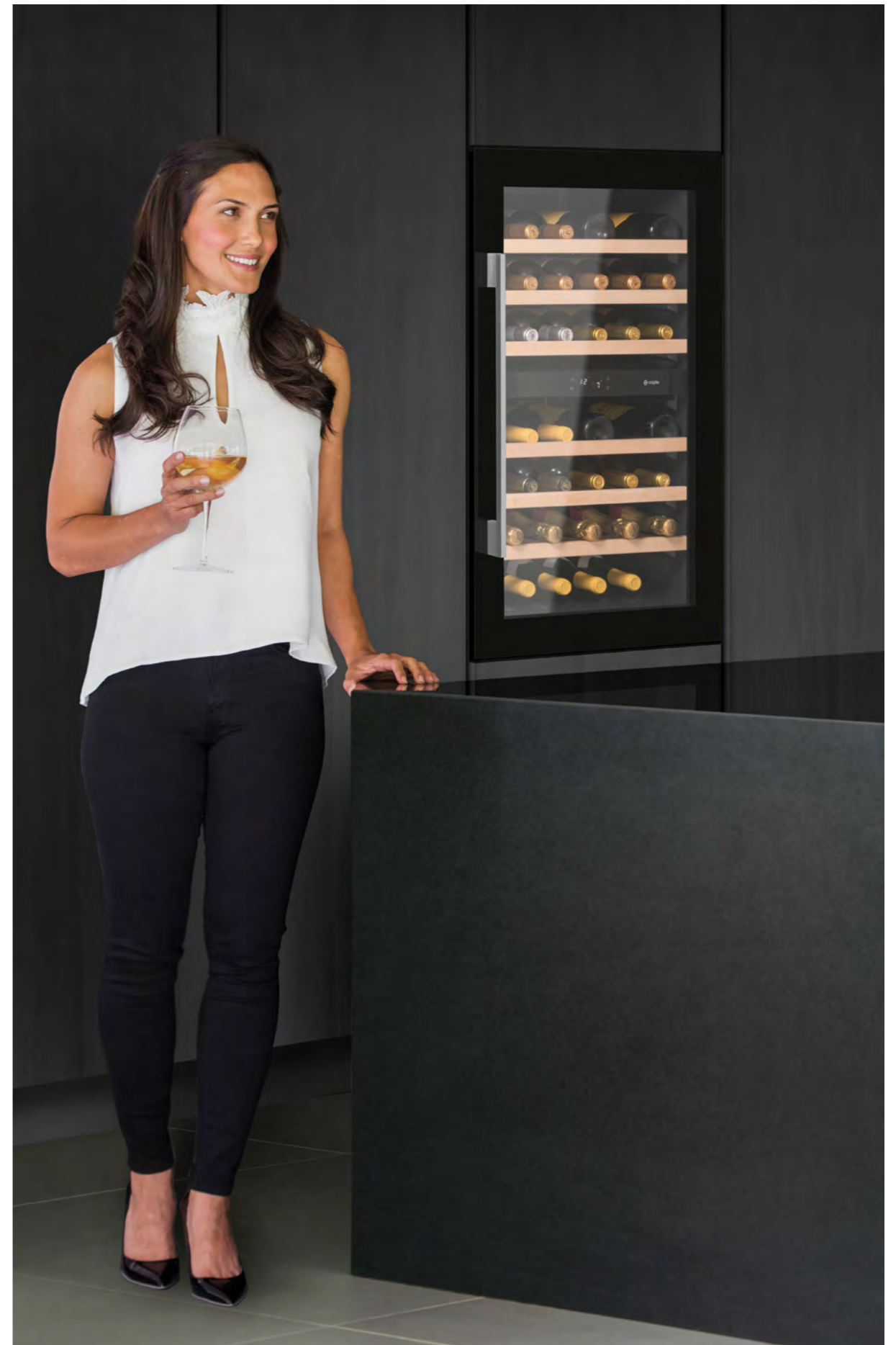
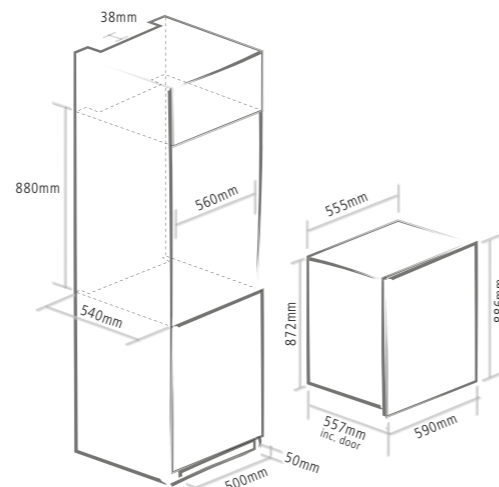
Black glass

FEATURES

- Fan circulated cool air for even temperature distribution
- Reversible door
- Heater raises internal temperature when external temperature drops
- High temperature and open door alarm
- Upper zone has 3 sliding shelves
- Lower zone has 3 sliding shelves and 1 sliding base shelf
- 100% CFC/HFC free
- Toughened UV protected glass door
- 2 Humidity control water tanks
- Black cabinet interior and exterior

CAPACITY

- 4.13 Cu ft/117.1 Litre total net capacity
 - 4.94 Cu ft/140.1 Litre total gross capacity
 - Stores max. 41 Bordeaux style wine bottles 750ml [18 on upper zone, and 23 on lower zone]
- Bottle stacking diagrams available at caple.co.uk





CLASSIC IN-COLUMN DUAL ZONE WINE CABINET

KEY FEATURES

- One piece stainless steel door
- Shelves can accommodate 750ml Bordeaux, Burgundy and Champagne bottles
- No-frost compressor cooling technology maintains a consistent temperature
- Dual stacked temperature zones, independently controlled [upper zone serve, lower zone storage]
- Touch controls and white LED display
- UV/heat-free white LED lighting [switchable]
- Vibration free
- Stainless steel square handle
- Beech shelves

PRODUCT CODE

WC6510

DIMENSIONS

h:886mm

PERFORMANCE

e Energy class B
 Energy consumption 198kWh/yr
 Ambient temperature 16°C - 32°C
 Temperature range upper zone 5°C - 10°C, lower zone 10°C - 18°C
 Humidity range >65%RH
 Quiet operation 45dB[A]

FINISH AVAILABLE

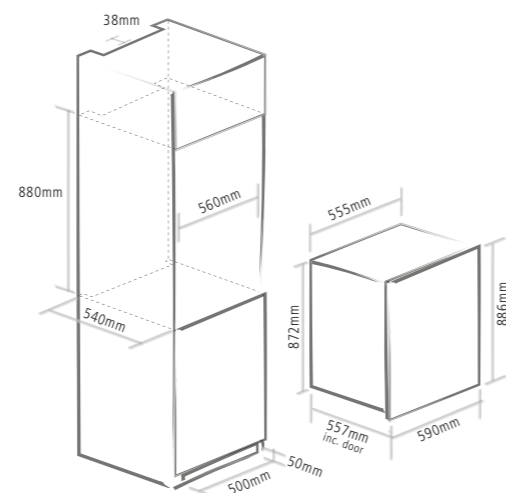
Stainless steel

FEATURES

- Fan circulated cool air for even temperature distribution
- Reversible door
- Heater raises internal temperature when external temperature drops
- High temperature and open door alarm
- Upper zone has 3 sliding shelves
- Lower zone has 3 sliding shelves and 1 sliding base shelf
- 100% CFC/HFC free
- Toughened UV protected glass door
- 2 Humidity control water tanks
- Black cabinet interior and exterior

CAPACITY

- 4.13 Cu ft/117.1 Litre total net capacity
 - 4.94 Cu ft/140.1 Litre total gross capacity
 - Stores max. 41 Bordeaux style wine bottles 750ml [18 on upper zone, and 23 on lower zone]
- Bottle stacking diagrams available at caple.co.uk



CLASSIC IN-COLUMN SINGLE ZONE WINE CABINET

KEY FEATURES

- One piece stainless steel door
- Shelves can accommodate 750ml Bordeaux, Burgundy and Champagne bottles
- No-frost compressor cooling technology maintains a consistent temperature
- Single temperature zone for red, white or sparkling wine
- Touch control and white LED display
- UV/heat-free white LED lighting [switchable]
- Vibration free
- Stainless steel square handle
- Beech shelves

PRODUCT CODE

WC6500

DIMENSIONS

h:886mm

PERFORMANCE

e Energy class A
 Energy consumption 146kWh/yr
 Ambient temperature 16°C - 32°C
 Temperature range 5°C - 18°C
 Humidity range >65%RH
 Quiet operation 45dB[A]

FINISH AVAILABLE

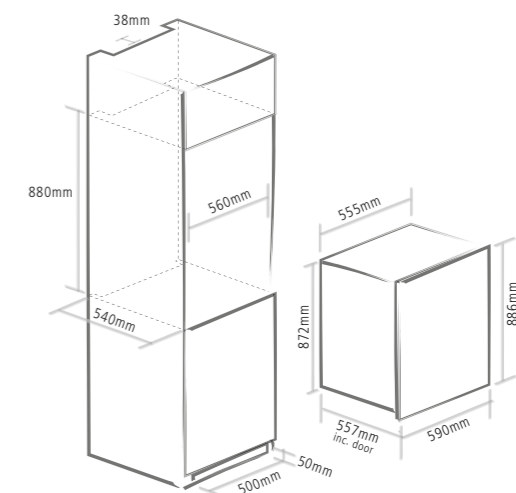
Stainless Steel

FEATURES

- Fan circulated cool air for even temperature distribution
- Reversible door
- High temperature and open door alarm
- 7 Sliding shelves and 1 base shelf
- 100% CFC/HFC free
- Toughened UV protected glass door
- Humidity control water tank
- Black cabinet interior and exterior

CAPACITY

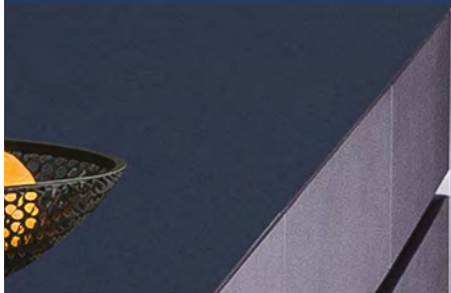
- 4.38 Cu ft/124 Litre total net capacity
 - 5.41 Cu ft/153 Litre total gross capacity
 - Stores max. 47 Bordeaux style wine bottles 750ml
- Bottle stacking diagrams available at caple.co.uk



SENSE IN-COLUMN SINGLE ZONE WINE CABINET

KEY FEATURES

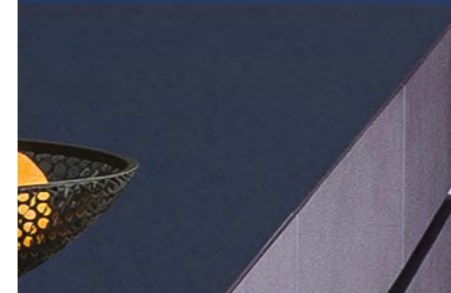
- Black glass door with gloss black door frame
- Shelves can accommodate 750ml Bordeaux, Burgundy and Champagne bottles
- No-frost compressor cooling technology maintains a consistent temperature
- Single temperature zone for red, white or sparkling wine
- Touch control and white LED display
- UV/heat-free white LED lighting [switchable]
- Vibration free
- Stainless steel square handle
- Beech shelves



CLASSIC IN-COLUMN SINGLE ZONE WINE CABINET

KEY FEATURES

- One piece stainless steel door
- Shelves can accommodate 750ml Bordeaux, Burgundy and Champagne bottles
- No-frost compressor cooling technology maintains a consistent temperature
- Single temperature zone for red, white or sparkling wine
- Touch control and white LED display
- UV/heat-free white LED lighting [switchable]
- Vibration free
- Stainless steel square handle
- Beech shelves



PRODUCT CODE

WC6410

DIMENSIONS

h:455mm

PERFORMANCE

e Energy class A
 Energy consumption 139kWh/yr
 Ambient temperature 16°C - 32°C
 Temperature range 5°C - 18°C
 Humidity range >65%RH
 Quiet operation 43dB[A]

FINISH AVAILABLE

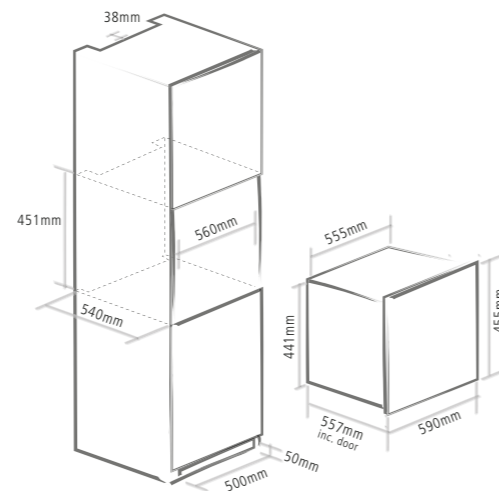
Black glass

FEATURES

- Fan circulated cool air for even temperature distribution
- Reversible door
- High temperature and open door alarm
- 3 Sliding shelves and 1 base shelf
- 100% CFC/HFC free
- Toughened UV protected glass door
- Humidity control water tank
- Black cabinet interior and exterior

CAPACITY

- 1.91 Cu ft/54 Litre total net capacity
 - 2.08 Cu ft/59 Litre total gross capacity
 - Stores max. 21 Bordeaux style wine bottles 750ml
- Bottle stacking diagrams available at caple.co.uk



PRODUCT CODE

WC6400

DIMENSIONS

h:455mm

PERFORMANCE

e Energy class A
 Energy consumption 139kWh/yr
 Ambient temperature 16°C - 32°C
 Temperature range 5°C - 18°C
 Humidity range >65%RH
 Quiet operation 43dB[A]

FINISH AVAILABLE

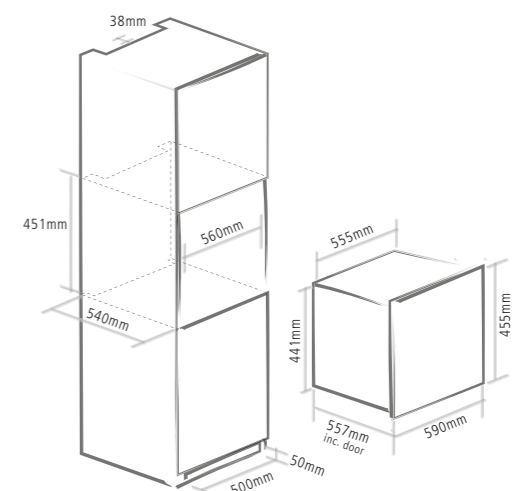
Stainless steel

FEATURES

- Fan circulated cool air for even temperature distribution
- Reversible door
- High temperature and open door alarm
- 3 Sliding shelves and 1 base shelf
- 100% CFC/HFC free
- Toughened UV protected glass door
- Humidity control water tank
- Black cabinet interior and exterior

CAPACITY

- 1.91 Cu ft/54 Litre total net capacity
 - 2.08 Cu ft/59 Litre total gross capacity
 - Stores max. 21 Bordeaux style wine bottles 750ml
- Bottle stacking diagrams available at caple.co.uk



FREESTANDING
WINE CABINETS





SENSE FREESTANDING TRIPLE ZONE WINE CABINET

KEY FEATURES

- Black glass door with gloss black door frame
- Shelves can accommodate 750ml Bordeaux, Burgundy and Champagne bottles
- No-frost compressor cooling technology maintains a consistent temperature
- Triple stacked temperature zones, independently controlled for storage or serving
- Electronic temperature control and white LED display
- UV/heat-free white LED lighting [switchable]
- Vibration free
- Stainless steel, black-spot bar handle
- Telescopic shelves

PRODUCT CODE

WF1549

DIMENSIONS

h:1762mm

PERFORMANCE

e Energy class C
 Energy consumption 290kWh/yr
 Ambient temperature 16°C - 32°C
 Temperature range upper zone 5°C - 18°C, middle zone 5°C - 12°C, lower zone 12°C - 18°C
 Humidity range >65%RH
 Quiet operation 45dB[A]

FINISH AVAILABLE

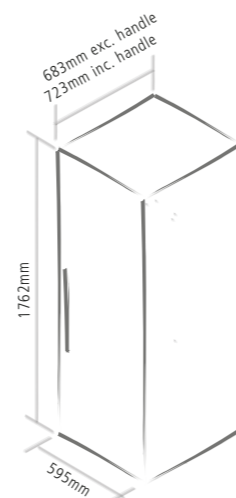
Black glass

FEATURES

- Fan circulated cool air for even temperature distribution
- 2 Heaters raise internal temperature when external temperature drops
- Reversible door
- Door lock
- Upper zone has 1 sliding shelf and 1 display shelf
- Middle zone has 2 sliding shelves and 1 display shelf
- Lower zone has 3 sliding shelves and 1 base shelf
- 100% CFC/HFC free
- Toughened UV protected glass door
- 3 Humidity control water tanks
- Black cabinet interior and exterior
- Air ventilation through plinth grille

CAPACITY

- 14.23 Cu ft/404 Litre total net capacity
- 15.86 Cu ft/449 Litre total gross capacity
- Stores max.132 Bordeaux style wine bottles 750ml [43 bottles on upper zone, 45 bottles on middle zone and 44 bottles on lower zone]



CLASSIC FREESTANDING TRIPLE ZONE WINE CABINET

KEY FEATURES

- One piece stainless steel door
- Shelves can accommodate 750ml Bordeaux, Burgundy and Champagne bottles
- No-frost compressor cooling technology maintains a consistent temperature
- Triple stacked temperature zones, independently controlled for storage or serving
- Electronic temperature control and white LED display
- UV/heat-free white LED lighting [switchable]
- Vibration free
- Curved stainless steel handle
- Stainless steel fronted telescopic beech shelves

PRODUCT CODE

WF1548

DIMENSIONS

h:1762mm

PERFORMANCE

e Energy class C
 Energy consumption 290kWh/yr
 Ambient temperature 16°C - 32°C
 Temperature range upper zone 5°C - 18°C, middle zone 5°C - 12°C, lower zone 12°C - 18°C
 Humidity range >65%RH
 Quiet operation 45dB[A]

FINISH AVAILABLE

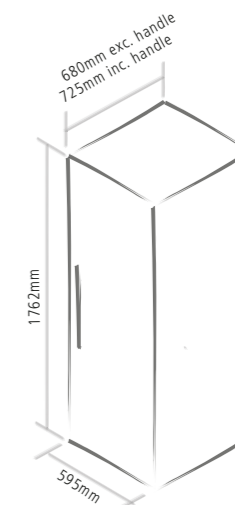
Stainless steel

FEATURES

- Fan circulated cool air for even temperature distribution
- 2 Heaters raise internal temperature when external temperature drops
- Reversible door
- Door lock
- Upper zone has 1 sliding shelf and 1 display shelf
- Middle zone has 2 sliding shelves and 1 display shelf
- Lower zone has 3 sliding shelves and 1 base shelf
- 100% CFC/HFC free
- Toughened UV protected glass door
- 3 Humidity control water tanks
- Black cabinet interior and exterior
- Air ventilation through stainless steel plinth grille

CAPACITY

- 14.23 Cu ft/404 Litre total net capacity
- 15.86 Cu ft/449 Litre total gross capacity
- Stores max.132 Bordeaux style wine bottles 750ml [43 bottles on upper zone, 45 bottles on middle zone and 44 bottles on lower zone]





CLASSIC FREESTANDING SINGLE ZONE WINE CABINET

KEY FEATURES

- One piece stainless steel door
- No-frost compressor cooling technology maintains a consistent temperature
- Single temperature zone for red or white wine
- Electronic temperature control and white LED display
- Curved stainless steel handle
- Stainless steel fronted telescopic beech shelves

PRODUCT CODE

WF333

DIMENSIONS

h:840mm

PERFORMANCE

Energy class A
 Energy consumption 144kWh/yr
 Temperature range 5°C - 18°C
 Ambient temperature 16°C - 32°C
 Humidity range >65%RH
 Quiet operation 44dB[A]

FINISH AVAILABLE

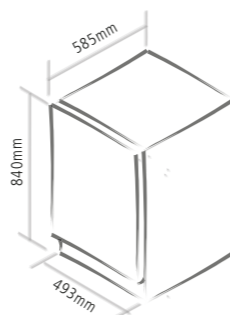
Stainless steel

FEATURES

- Reversible door
- Interior light
- 3 Double stacked shelves and 1 half shelf
- 100% CFC/HFC free
- Toughened UV protected glass door
- Humidity control water tank
- Black cabinet interior and exterior
- Top and side heat dispersion

CAPACITY

- 4.39 Cu ft/124 Litre total net capacity
- 4.87 Cu ft/138 Litre total gross capacity
- Stores max. 39 Bordeaux style wine bottles 750ml [6 bottles on top shelf, 12 bottles double stacked on middle two shelves and 9 bottles double stacked on the bottom shelf]



Ventilation requirements - Please allow an 127mm gap around the whole appliance when installed next to a wall, unit or in an alcove

CAPLE CARE



All Caple appliances come with a 2 year parts and labour guarantee. You can extend this to provide a full 5 years parts and labour warranty.

THE BENEFITS OF TAKING OUT AN EXTENDED WARRANTY

The Caple protection plan has been carefully put together so customers who take out the extended cover benefit from:

5

Up to 5 years parts and labour warranty against breakdown



A nationwide network of Caple approved engineers to undertake repairs in the home

£

Spread the cost over 10 months with our monthly payment plan visit www.worldpay.com for full T&Cs



A replacement appliance should the repair of the original be uneconomic or impossible



Access to the Caple UK based contact centre

HERE'S HOW MUCH IT COSTS FOR 5 YEARS COVER

CAPLE REPAIR PLAN COSTS		
	PAYMENT PLAN	ONE OFF PAYMENT
Wine cabinet	£80.00	£70.00

To register your free 2 year guarantee or discuss an extended warranty

CALL 0330 123 0998 OR VISIT CAPLE.CO.UK

Calls are charged at the local rate – please check with your provider for actual charges. Subject to terms and conditions

Register my appliance

ISSUE: CA0219

Every effort has been made to reproduce colours and materials accurately, however due to the photography and print processes, colour variations may occur.

Due to our continued product development policy, we reserve the right to modify product specifications and/or dimensions without notice.

Please contact your retailer, call Caple direct on 0117 938 1900, email info@caple.co.uk, or visit our website at www.caple.co.uk for further product information.



Fourth Way
Avonmouth
Bristol
BS11 8DW

t: 0117 938 1900
f: 0800 373 163
e: sales@caple.co.uk
caple.co.uk



CapleUK



caple



capleuk

Issue: CA0219

